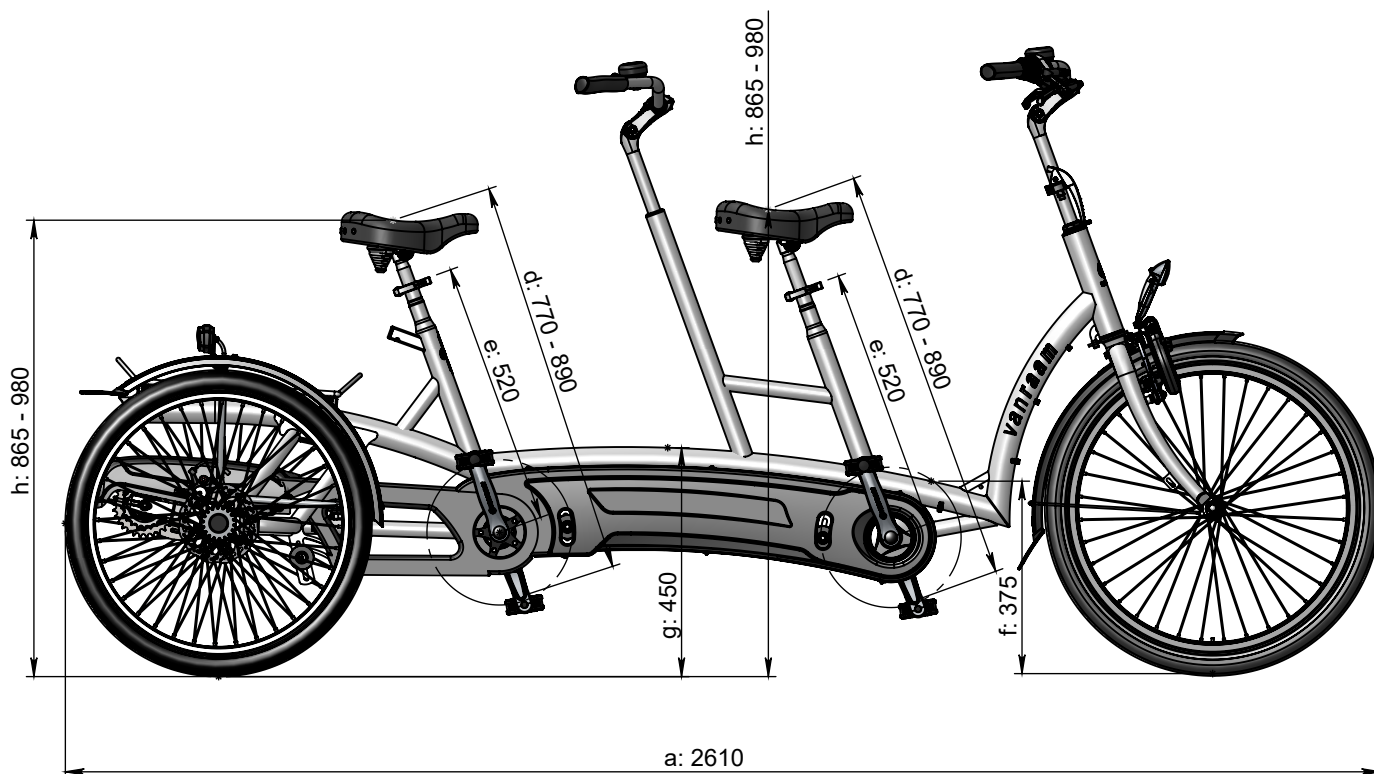
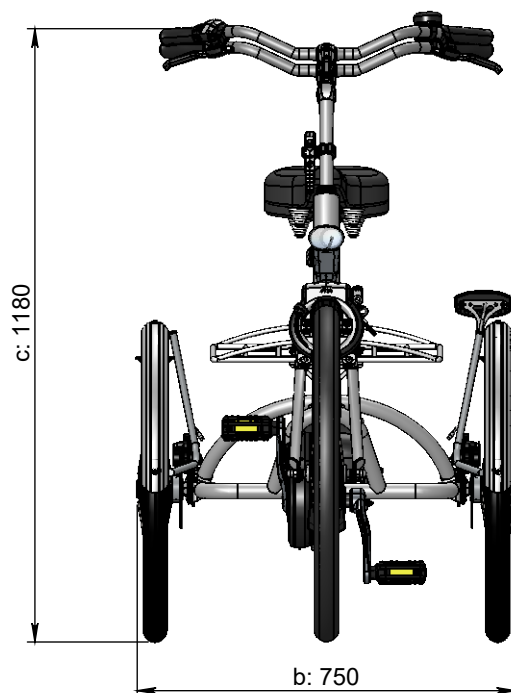




vanraam®
Let's all cycle



Standard frame

a = maximum length 2610 mm
b = maximum width 750 mm
c = height 1180 mm
d = inseam 770 mm - 890 mm
e = framesize 520 mm
f = standover height front 375 mm
g = standover height rear 450 mm
h = seat height 865 mm - 980 mm

Frame size

Frontside 61 cm, Backside 52 cm
d = inseam 860 mm - 980 mm
e = frameheight 610 mm
h = seat height 955 mm - 1070 mm

Frame size

Frontside 43 cm, Backside 52 cm
d = inseam 680 mm - 800 mm
e = frameheight 430 mm
h = seat height 775 mm - 890 mm

Frame size

Frontside 52 cm, Backside 61 cm
d = inseam 860 mm - 980 mm
e = frameheight 610 mm
h = seat height 955 mm - 1070 mm

Frame size

Frontside 52 cm, Backside 43 cm
d = inseam 680 mm - 800 mm
e = frameheight 430 mm
h = seat height 775 mm - 890 mm