

User manual



Viki



Vik



Viktor



Viktor



Husky



Mini



Midi



Maxi



Maxi Comfort



Easy Rider Junior



Easy Rider



Easy Sport



Contents

Contents	
Contact details manufacturer	
Conformity	
Introduction	
Indication	
Intended usage	
Safety measures	
Delivery inspection	
Adjustment of the bicycle	
Accessories	
Before the first use	
Technical details	
Maintenance and adjustments to be done by owner	
Repairs and maintenance to be done by dealer	
Disposal	
Handover/sale to a new owner	
Guarantee	
Frame number	

Contact details manufacturer

Van Raam BV
Aaltenseweg 56
7051 CM Varsseveld
The Netherlands

Tel. : +31 (0)315 257370
E-mail : info@vanraam.nl
Internet : www.vanraam.com

Conformity

Van Raam declares as manufacturer that the tricycles stated in this manual has been produced in accordance with the 93/42/EEG guidelines.

Introduction

This user manual gives important and necessary information about the use of your tricycle. We ask you to go through the manual thoroughly before using the tricycle. All safety and user aspects have to be made clear to children and to people with limited powers of perception.



READ THOROUGHLY!

Indication

Children or adults who cannot use bicycles or vehicles due to their handicap, are able to ride these tricycles. The tricycles can be used by children or adults with neuro-muscular disorders such as paralysis of the brain and muscular dystrophy. This also applies to people suffering from co-ordination problems, loss of balance and limited natural movements.

Intended usage

The tricycles are designed for normal use on level and solid ground. The usual bicycle caution should always be taken into consideration. At the same time all safety instructions as described in this manual should be complied with explicitly. Also the local traffic rules should always be complied with.

All other use, including damage or physical injuries due to this, are not the manufacturer's responsibility.

Safety measures

- Ensure the bicycle is in good condition each time before using it.
- Check before **each** ride that the brakes are in order!
- Check the lights and reflectors.
- Regularly check whether all screw joints are tight!
- Regularly check whether the wheels, the handlebars and the saddle are secure!
- Make sure there is sufficient air in the tyres!
- Only use the bicycle on a **solid and level surface!**
- Make sure that wide trousers or loose hanging clothing don't get caught in the chain, spokes or pedals.
- Do not use a pressure washer or a steam cleaner for the cleaning of the bicycle.



Extra attention is essential if a child is using the bicycle!

- **Never** leave a child alone with the bicycle without supervision!
- **Always** have the child wear a bicycle helmet! Make sure the helmet fits correctly!
- Have the child wear visible reflective clothing, so they are visible to other road users!
- Block the bicycle to stop it from moving when your child is getting on or off the bicycle. Do this by using the parking brake and holding the bicycle. Do this until your child is sitting safely and correctly on the bicycle.
- It is advisable to fit a flag onto the bicycle that is visible above the child.

Load

The maximum load should not be exceeded. See information in the index of technical details on page 23. By permitted load we mean the total load, including the load in the basket or on the luggage rack.

Make sure that the permitted luggage rack and basket weight is not exceeded (maximum 20 kg). People are not to be transported in the basket!

Be aware that a basket full of luggage can influence the steering considerably. No luggage that limits the use of the bicycle can be transported on the handle bars.

Damaged or worn out parts

The replacement and repair of parts (frame, forks, illumination, brakes, drive mechanism and the handle bars) should **always** be performed by a dealer. If not, the guarantee ceases to be valid and you will be personally responsible in the event of possible damage.



Specific safety parts should **always** be replaced by new parts!

Delivery inspection

Check the delivery immediately after receiving it.

In the event of damage or incomplete delivery we ask you to contact your dealer immediately.

Adjustment of the bicycle

Before using the bicycle, adjust it to the measurements of the cyclist. This is of great importance, especially the saddle and the handlebars.



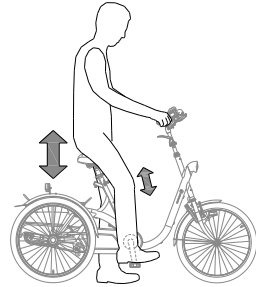
If an optimal adjustment of the bicycle, as defined in the instructions, is not possible for the cyclist, you can contact your dealer for a fitting solution.

The brakes are correctly adjusted as standard and can only be adjusted by the dealer during periodic maintenance.

Saddle height

(Husky, Mini, Midi, Maxi, Maxi Comfort Viki, Vik, Victoria, Victor)

When the cyclist is sitting on the bicycle and can put a foot on the pedal in the lowest position, the saddle height is correct. Adjust the saddle height in such a way that the leg is stretched but relaxed in that position.



To adjust the saddle:

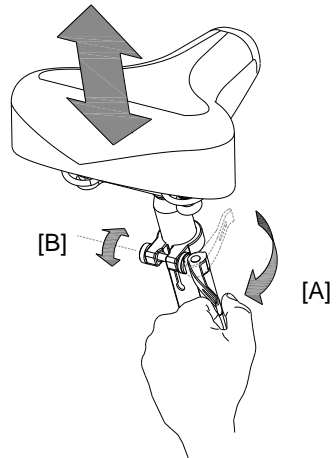
1. Open the quick-clamp [A].
2. Slide the saddle to the correct height.
3. Close the quick-clamp.



Make sure clothing cannot get caught in the clamp!



If the clamp closes too easily, the clamping force is too low. In this case, open the clamp and tighten the nut (B) a bit more. If a lot of force is necessary to close the clamp, the nut should be loosened slightly.



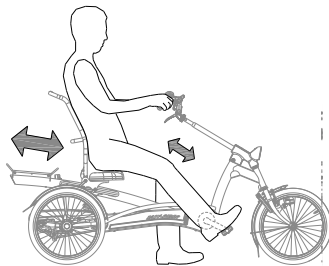
Do not pull out the saddle pin **further** than the marking. The tube will not go into the shank deep enough and will risk coming off. This can lead to serious injuries.



Saddle position (Easy Rider Junior, Easy Rider)

The saddle position is correctly adjusted when the cyclist is sitting on the bicycle and puts a foot on the pedal in the furthest position.

Adjust the saddle in such a way that the leg is stretched but still relaxed.

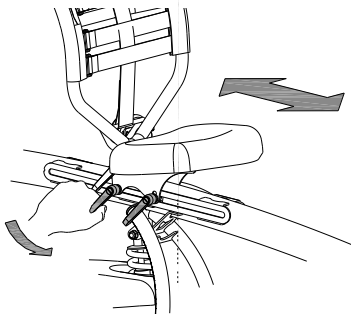


To adjust the saddle:

1. Loosen the 4 wing nuts slightly.
2. Slide the saddle to the correct position.
3. Tighten the 4 wing nuts again.



If the wing nuts are in each others way, one can be pulled out and turned away.

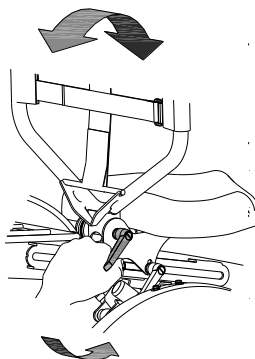


Position of the backrest

(Easy Rider Junior, Easy Rider)

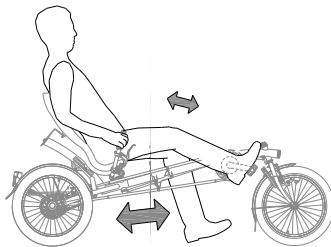
The backrest can be adjusted to the desired position. To do this:

1. Loosen the wing nut slightly.
2. Put the backrest in the desired position.
3. Tighten the wing nut again.



Saddle position and frame length (Easy Sport)

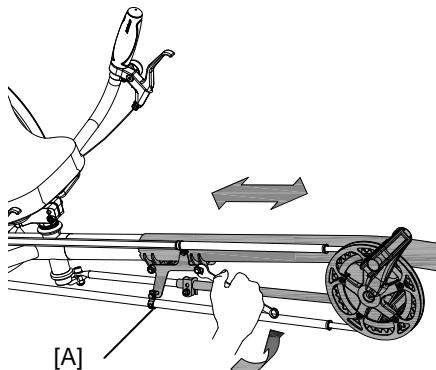
The saddle position is correctly adjusted if the cyclist is sitting on the bicycle and puts one foot in the furthest position. Adjust the saddle position in such a way that the leg is stretched but still relaxed.



The saddle position is adjusted by shifting the frame length to the right distance.

Do this by:

1. Slightly loosen the 2 nuts of the frame tube, the 2 nuts of the chain brackets (A) and the nut of the handle bars tube with a socket wrench.
2. Slide the frame to the correct length. Also slide the brackets (A).
3. Make sure that the handle bars are aligned with the front wheel. Then tighten the 5 nuts again.

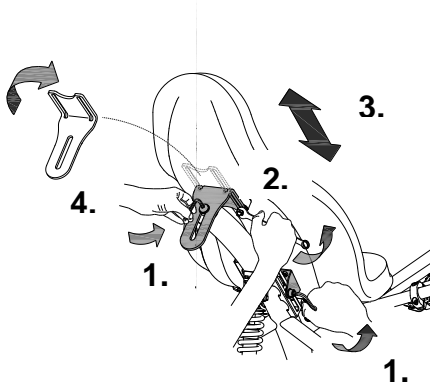


Saddle height (Easy Sport with standard seat)

The saddle can be adjusted to the desired height. Determine your own most comfortable height by using the bike.

To adjust the height:

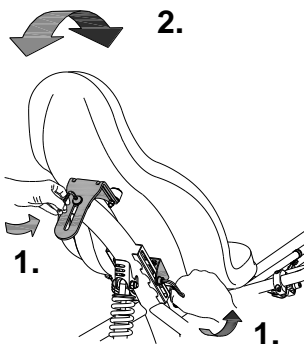
1. Slightly loosen the 3 screws using an Allen key.
2. Slightly loosen the 2 nuts connected to the backrest using a socket wrench.
3. Slide the saddle to the desired height and then tighten the screws and nuts.
4. **Beware:** The bracket can be fitted in 2 ways. By turning the bracket the saddle can be adjusted to an extra high position.



Position backrest (Easy Sport with standard saddle)

The backrest can be adjusted in the desired position. To do this:

1. Slightly loosen the 3 screws with an Allen key.
2. Put the backrest in the desired position and then tighten the screws again.

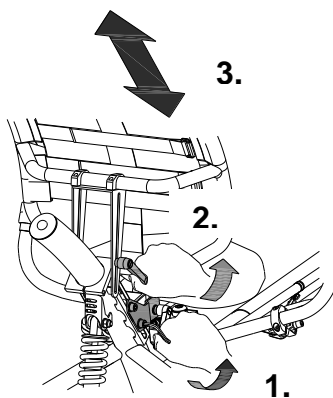


Saddle height (Easy Sport with comfortable chair)

The seat can be adjusted to the desired height. Determine which is most comfortable by using the bike.

To adjust the height:

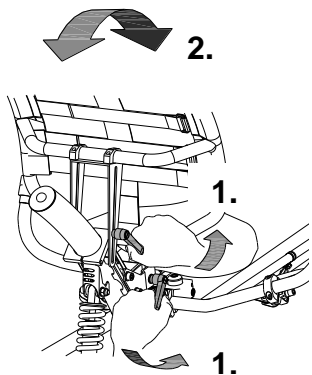
1. Slightly loosen the 4 screws using an Allen key.
2. Loosen the wing nut.
3. Slide the seat to the desired height and then tighten the screws and the wing nut again.



Position backrest (Easy Sport with comfortable chair)

The back rest can be adjusted to the desired position. To do this:

1. Loosen the 2 wing nuts.
2. Put the backrest in the desired position and then tighten the wing nuts again.

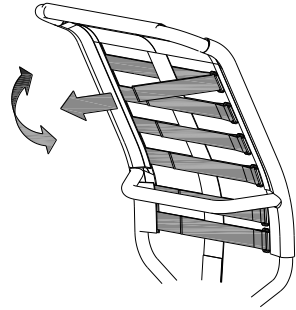


Firmness backrest

(Easy Rider Junior, Easy Rider, Easy Sport)

To adjust the backrest to a looser or tighter position:

1. Open the straps by loosening the velcro.
2. Tighten the straps or loosen them.
3. Fasten the velcro again.



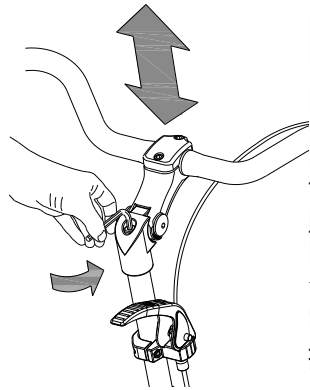
Handle bar height

(Husky, Mini, Midi, Max Maxi Comfort,, Viki, Vik, Viktoria, Viktor, Easy Rider Junior, Easy Rider)

The height of the handle bars affects the comfort of the ride. It determines the pressure on the hands and the position of the back. Determine your own most comfortable height by using the bike.

To adjust the handle bars:

1. Slightly loosen the screw by using an Allen key.
2. Slide the handle bars to the correct height.
3. Tighten the screw very firmly again.



Do **not** pull out the handle bars **further** than the mark. Otherwise the tube will not be deep enough in the shaft and will risk coming off, which can lead to serious injuries.



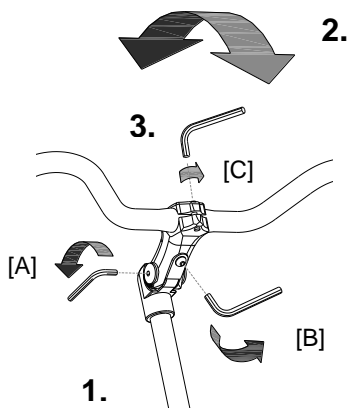
Position handle bars

(Husky, Mini, Midi, Maxi, Maxi Comfort, Viki, Vik, Viktoria, Viktor, Easy Rider Junior, Easy Rider)

You can tilt the handle bars. This influences the distance from the handle bars to the upper body. Determine your own most comfortable position by using the bike.

To tilt the handle bars:

1. Slightly loosen the screws (A) and (B) with an Allen key.
2. Put the handle bars in the desired position and then tighten the screws considerably.
3. Slightly loosen screw (C) with an Allen key, put the handle bars in the correct (horizontal) position and then tighten the screw again.

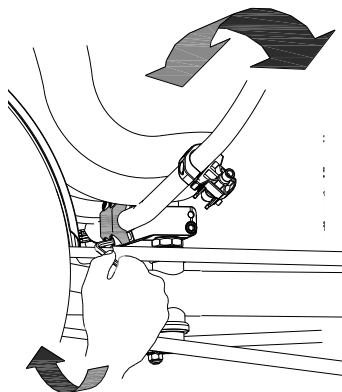


Position handle bars (Easy Sport)

You can tilt the handle bars. Determine your own most comfortable position by using the bike.

To tilt the handle bars:

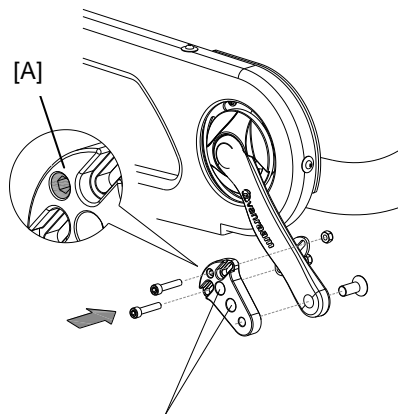
1. Slightly loosen the screws with an Allen key.
2. Put the handle bars in the desired position and then tighten the screws again considerably.



Depending on your order, you can use the accessories as described below.

Crank shortener

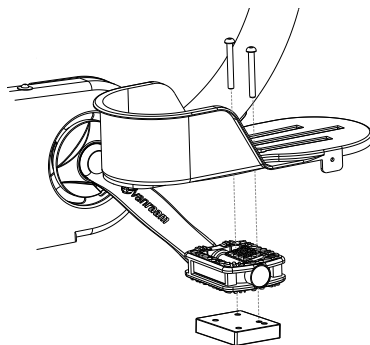
The crank shortener is fitted to the crank, as illustrated. The pedal can then be fitted into the crank shortener at two positions. With the socketed screw (A) the crank shortener should be aligned with the crank.



2 assembly points pedal

Foot support

The foot support is fitted to the pedal with a balance block.

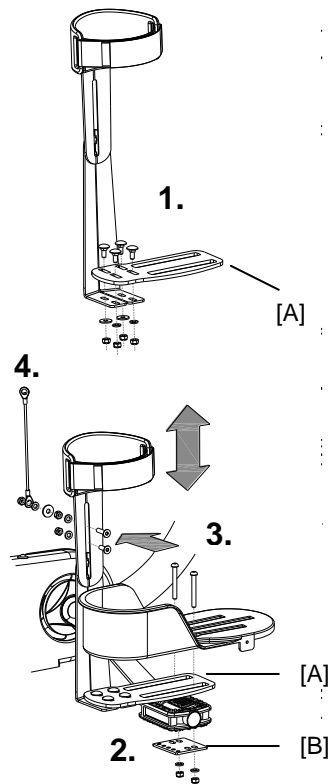


Lower leg support

To fit the lower leg support:

1. First fit the lower leg support to the metal plate (A).
2. The lower leg support is then fitted to the foot support. Make sure that plate (B) is under the pedal and plate (A) is between the pedal and the foot support.
3. Adjust the height of the lower leg support in such a way that it matches the lower leg of the cyclist.
4. Fit the elastic to a point on the frame, so that the lower leg support stays upright in stationary position. Determine by yourself which point is best.

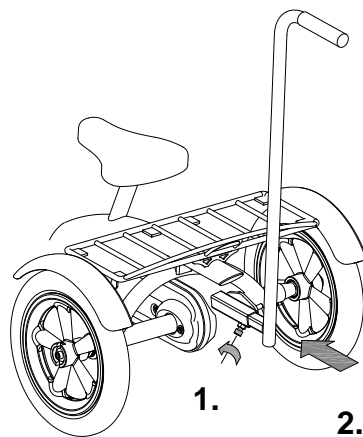
Use the velcro to secure the lower leg.



Push bar (Husky, Mini, Midi)

To fit the push bar:

1. Loosen the screw by using an Allen key.
2. Slide the push bar in the tube up to the stop. Then tighten the screw again very firmly by using the Allen key.



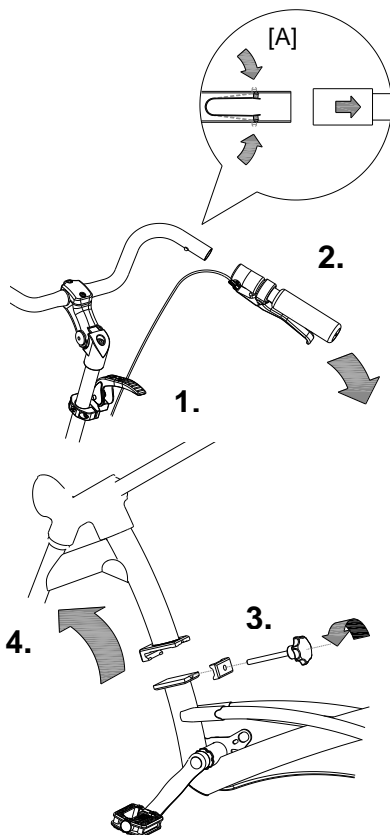
Dividable frame

The bicycle can be divided into 2 parts.

To divide the frame:

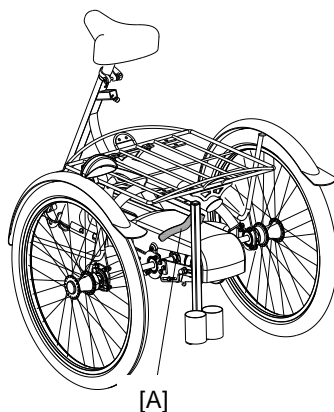
1. Use the parking brake.
2. Remove the grip from the handle bars.
Push the pellets of the small spring (A) so that the grip can be removed from the handle bars.
3. Loosen the knob.
4. Remove the front part out of the coupling.

To assemble the bicycle again, follow these steps in reverse order.



Walking-stick holder

The walking-stick holder is fitted under the luggage rack. The walking-stick should be fastened with velcro.



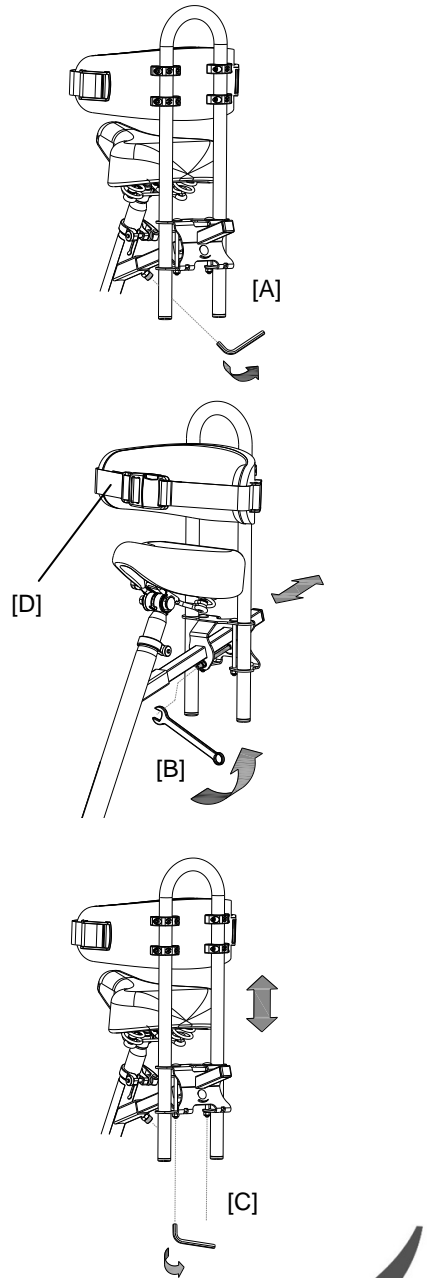
Back support

Fit the back support under the saddle with the hexagon socket (A).

First adjust the right depth, by loosening nut (B), putting the back support in the right position and then tighten the nut again.

Then adjust the right height by loosening the 2 nuts (C), sliding the support in the correct position and then tighten the nuts again.

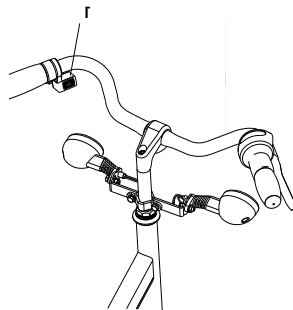
The back support can be fitted with a belt (D). Use the fastening device to open and close the belt.



Flashing light system

To use the flashing lights press the switch to left or right.

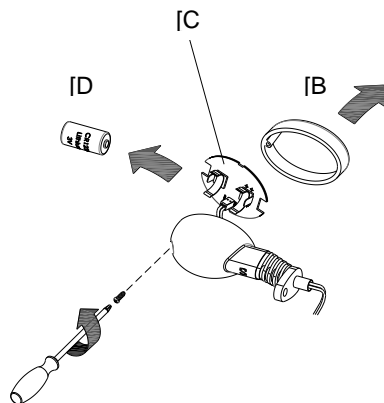
If you want to switch off the flashing light system, put the switch in the middle position.



The lights work on a battery.

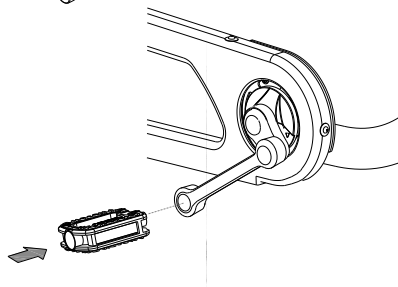
To replace the batteries, turn the screw on the cap and take the orange cap [B] away. Then remove the PCB [C] from the holder. You can now replace the battery [D].

This is a 3-volt lithium battery, CR123A.



Eccentric crank

The bicycle can be fitted with an eccentric crank on the left and/or right side.



Electric motors

The tricycle can be equipped with an electric Silent motor system or Heinzmann.

Silent Electric motor

The Electric motor has the following Functions:

- Pedal assistance while cycling
- Launch control
- Backwards pedaling with assistance

Press the on/off button to turn on the motor . After the system is turned on, the electric motor is active in level 1.

Level 1 provides light support. Level 3 provides optimum support. You can change the level while cycling.

The engine has launch control. This allows the driver to accelerate without pedaling up to a speed of 5 km / h . To accelerate, press the launch button and keep it pressed down . The motor is activated after 2 seconds.

The reverse gear is activated by pedalling back from a standing position. Within a few seconds the motor is activated and the tricycle cycles at a speed of about 3KM/h backwards when you start to pedal backwards.

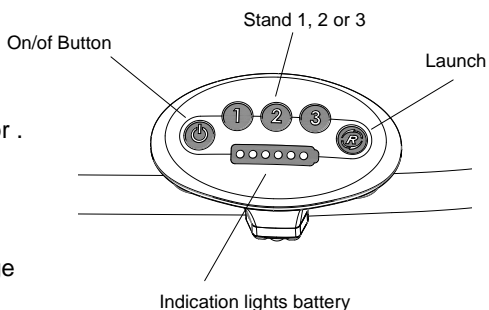


Do not be frightened by an unexpected noise of the electric motor. If you e.g. wait for the traffic light and you play with the pedals by moving them backwards the reverse gear is activated and the tricycle cycles backwards.

With the on/off button, you can turn off the system. When the system is not used, it will automatically turn off after a certain time.

You can see the battery level at the indication lights at the coloured display. If only the red light is on, the battery is almost empty and needs to be recharged or replaced by a new, fully charged battery.

When the last red light flashes, the battery is empty and the engine will not support you any longer while cycling.





When you push the bicycle, turn off the motor.

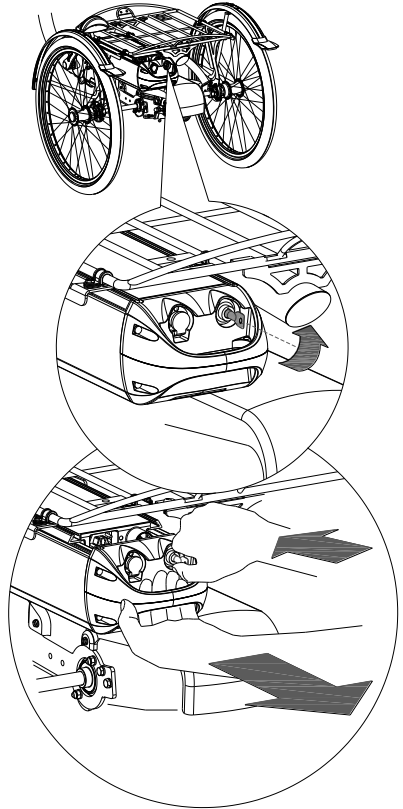
When the motor is not used for several days, the battery switches into the sleeping mode. This to protect the batteries. To activate it, you must connect the battery to the charger for a few seconds or cycle the bike forwards and push the on/off button to activate the system.

Charging the Battery:

For the best performance and to prolong the life of the battery, we recommend that you charge the battery at home at room temperature.

To charge the battery:

- 1
Open the little lock by turning the key a quarter (to the right)
- 2
Push down the lock while pulling the battery with your other hand.
- 3
Take the battery pack into the house. Plug the charger into the plug contact of the battery.



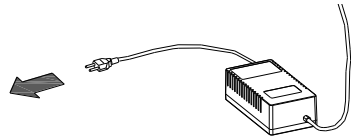
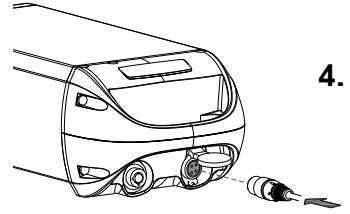
4
Connect the charger plug into the socket. The red light on the charger will light up.

5
Depending on the battery level, the charging time is about 4 hours. If the green light is on, the battery is charged.

6
Once the battery is charged, pull the plug from the socket first..

7
Then pull the connector from the battery.

8
Put the battery back in the holder of the cycle and close the lock.



It is also possible to charge the battery while it is still in the holder.



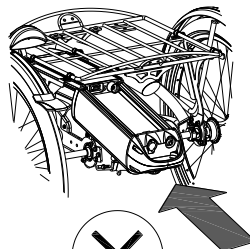
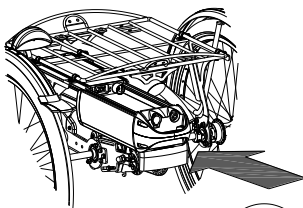
When charging the battery, first connect the charging point and then insert the plug into the socket!
After being charged, first disconnect the socket and only then remove the charger from the tricycle!



After charging, always remove the charger cable from the battery.



Ensure that the battery is always pushed straight into the holder.



Caution:

- We recommend charging the battery inside, at room temperature.
- Charge the battery until the green light turns on.
- Never interrupt the charging process.
- It is better for the battery to charge when the battery is almost empty.
- If the tricycle is not used for a long time, please store the battery fully charged and keep it in house. Recharge the battery occasionally.. Otherwise it can cause damage.
- Don't open the charger yourself. When problems occur, please contact your local dealer!
- Use the charger only in dry rooms at room temperature.

Heinzmann motors

The bicycle can be supplied with an electric Heinzmann motor. There are 2 types available.

Accelerator:

The electric motor is operated by using the accelerator. By using the cockpit you start the motor and determine the power of the motor. This motor accelerates and drives with a speed up to 6 km/h maximum. For more speed the cyclist has to pedal as well.

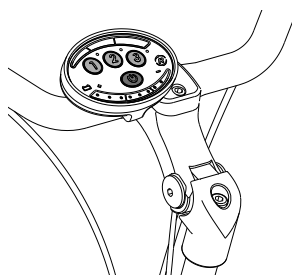
Pas-Vario:

The electric motor is operated by the cockpit. With this cockpit you switch the engine on/off and you can also determine the power of the motor. This motor only supports the cycling and does not accelerate.

Use of the cockpit (same in both models):

Press one of the buttons, 1, 2 or 3 to start the electric motor. With these buttons you can determine the power of the motor, also during cycling.

With the red button you shut down the system. If the system is not used, it will automatically shut itself down after a period of time.

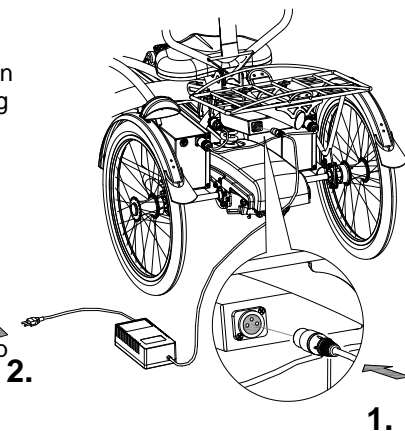


When walking backwards with the bicycle, always turn off the motor.

Charging the battery:

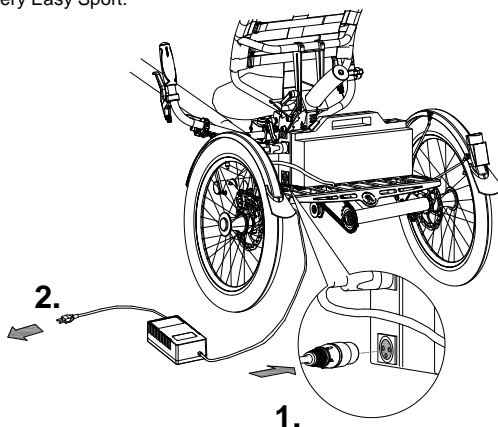
There are Heinzmann systems With Litium Ion batteries and with lead batteries. For charging Lithium Ion look at page 18

1. **First** connect the charger plug to the charging point under the luggage rack.
2. Put the charger plug in the wall socket.
3. Depending on the state of the battery, it needs 4 to 12 hours to charge. The battery is completely charged when the green lamp lights up.
4. As soon as the battery is charged, **first** take the plug from the wall socket and then disconnect the charger from the bicycle.



Depending on your order, this charger is supplied.

Battery Easy Sport:



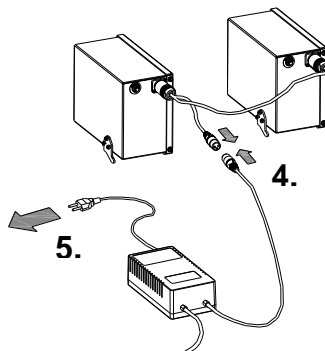
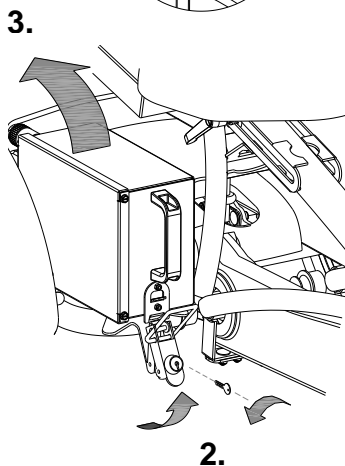
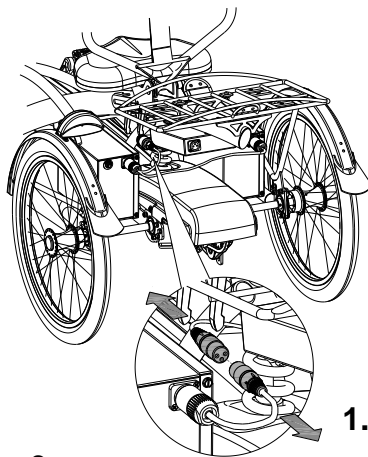
When charging, **first** connect the plug to the charging point on the bicycle and **then** put the plug in the wall socket!
When charged, **first** take the plug from the wall socket and **then** disconnect the charger from the bicycle!

The batteries can also be taken from the containers and charged somewhere else, indoors for instance. To do this:

1. Loosen the charge connector of the batteries from the charging point under the luggage rack.
2. Undo the lock of the fastening device and open it.
3. Take the batteries from the containers.
4. Put the batteries down and connect the charge connector of the batteries to the connector of the charger.
5. Put the charger plug in the wall socket. The red light will light up.
6. Depending on the state of the battery it will take 4 to 12 hours to fully charge.
7. As soon as the battery is charged, **first** take the plug from the wall socket.
8. **Then** take the charge connector of the batteries from the connector of the charger.
9. Place the batteries back in the containers on the bicycle and lock the fastening devices.
10. Then, connect the charge connector of the batteries to the connector of the charging point again.

Beware: 

- Charge the battery until the green lamp lights up.
- Never interrupt the charging process.
- For the lifespan of the battery it is better to charge the battery when it is almost discharged.
- It is damaging for the battery if it is not used for more than 2 months. In that case charge the battery every now and then.
- The case of the charger may not be opened by the buyer. In the event of problems go to your dealer!
- Only use the charger in non-humid indoor spaces.
- Below 5 degrees Celsius the charger will not function properly. In that case it is advisable to charge the batteries indoors.

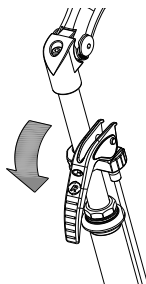


Extra accessories are available at your dealer.

Before the first use

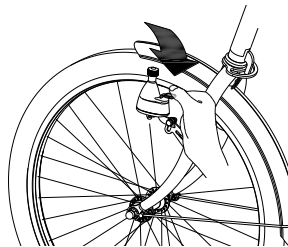
Parking brake

Always use the parking brake if you park the bicycle and leave it behind.



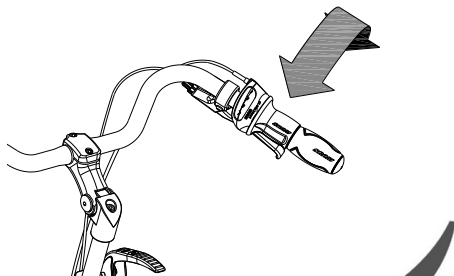
illumination

The energy for the illumination on the front is supplied by the dynamo. Push the button so that the dynamo moves against the tyre. To turn off the light push the dynamo back again. The illumination at the back works on batteries. Push the button to switch the light on and off.



Gears

Standard the bicycle has 8 gears. The gears are used by turning the grip. **Do not use the pedals** when turning the grip.



Check before every ride:

- the brakes (including the parking brakes)
- the tyre pressure
- the illumination
- that all parts are secure

Contact your dealer and do not use your bicycle if you identify any irregularities!

As with all mechanical parts, the bicycle is subject to wear and tear and high loading. If a component fails, it can lead to very dangerous situations. This can lead to damage or injuries to the user of the bicycle. Any form of tearing, scratching or changing of colour is an indication that the part should be replaced.

Points of interest during cycling

After you have adjusted the bicycle to the measurements of the cyclist, you can start using the bike.



The tricycle gives a very different ride experience than a bicycle with two wheels!

Practice, in particular, with bends and braking, because a tricycle can react contrary to what you would expect. It may happen that the back wheel comes off the ground on the inside when going round a bend. To avoid this the rider leans towards the inside of the bend with his body.

The right brake lever works on the front brake. Be particularly cautious because when braking too forcefully the front wheel might block, which can lead to a fall. The cyclist needs to be familiar with using the brakes on the front wheel!



High speeds in the bends, driving on rough ground, and sharp bends can lead to the tricycle **falling over!**



Extra attention is essential if a child is using the bicycle or a person with limited powers of perception is using the bicycle!

Before a child or an adult with limited powers of perception rides the bicycle independently for the first time, they should practice first under your supervision (or under the supervision of others).

Pay special attention to bends, because this can be a great source of danger. Also explain that the widest part of the bicycle is situated behind the driver. Let them practice passing several obstacles, to get a feel of the width of the bicycle!

Children or adults with limited powers of perception should **always** be made aware of the possible dangers of using a tricycle.

Important safety points for the cyclist

- Go very carefully during the first ride.
- When riding the bicycle hold both hands firmly on the handle bars and feet on the pedals.
- Test the riding style of the tricycle on rough ground at moderate speed. This way the cyclist learns how to react to unexpected movements of the bicycle and the handle bars during use.
- Explore how the tilting movements of the tricycle react to body posture. Tilt to the inside of the bend.
- Small obstacles should be cycled over with appropriate speed.
- Obstacles higher than 5 cm should be avoided.

Technical details

	Husky	Mini	Midi	Maxi	Maxi Comfort	Easy Rider Junior
Frame height (cm)	23	31	41	52	42 ,52, 61	55-75 *
Length (cm)	98	136	168	178	194	175
Width (cm)	59	60	75	75	75	73
Boarding height(cm)	15	20	28	28	23	37
Front wheel	12.5"	16"	20"	22"	24"	16"
Back wheel	12.5"	16"	22"	24"	24"	16"
Weight (kg)	appr. 11	appr. 20	appr. 27	appr. 29	appr 29	appr. 25
Max. load basket (kg)	20	20	20	20	20	20
Total max. load (kg)	85	85	110	140	140	100
Brakes, front	Rim brake	V brake	V brake	V brake	V brake	Rim brake
Brakes, back	Back pedal brake	Back pedal brake	Disc brake	Disc brake	Disc brake	Drum brake

	Easy Rider	Easy Sport	Viki	Vik	Viktoria	Viktor
Frame height (cm)	70-90 *	70-90 *	25	38	41	50
Length (cm)	206	190-230	100	100	152	173
Width (cm)	73	80	66	75	78	86
Boarding height (cm)	38	52	12	13	18	16
Front wheel	20"	20"	12.5"	16"	18"	20"
Back wheel	20"	20"	16"	20"	24"	26"
Weight (kg)	appr. 35	appr. 24	appr. 15	appr. 20	appr. 30	appr. 30
Max. load basket / luggage rack (kg)	20	20	n.v.t.	20	20	20
Total max. load (kg)	140	140	60	90	90	120
Brakes, front	Rim brake	Rim brake	Drum brake	Drum brake	Drum brake	Drum brake
Brakes, back	Disc brake	Disc brake	Pedal	Pedal	V brake	V brake

* = length of inner leg

Maintenance and adjustments to be done by owner

Below you can find the instructions for maintenance and adjustments that you can do yourself on a regular basis, which will keep your bicycle in top condition.

Cleaning

The frame of the tricycle can be cleaned with a damp cloth. For areas that are dirtier you can use a mild detergent. The wheels can be cleaned with a damp brush with plastic hairs (not a wire brush!) The saddle, the grips and the backrest can be cleaned with mild soap and water.



Do not use a pressure washer or a steam cleaner!

Inspection of the tricycle

After 200 kilometres or after a period of 2 months the bicycle should be inspected. Check the brakes, the illumination and the spokes. Also check the tyre tread depth. This should be at least 1 mm. Worn out tyres or possible faulty parts should be replaced.

Also check the parking brake. With the parking brake pulled up, the tricycle should not ride away with the cyclist.

The correct tension of the chain

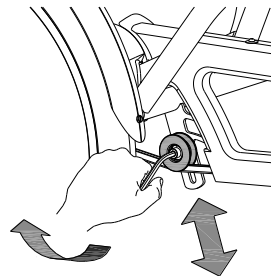
The chain should not be too tight. It should hang loose. Without effort you should be able to move the chain up and down, half a centimetre approximately.

Adjusting chain tension

(Husky, Mini, Midi, Maxi, Maxi Comfort, Easy Rider Junior, Easy Rider, Easy Sport)

To keep the chain tension correct, a special tensioning wheel is fitted on to the bicycle, as an integrated chain tensioner.

1. Slightly loosen the screw. Hold the nut at the back tight with a socket wrench to stop the screw from slipping.
2. Shift the tensioning wheel in such a way that the chain hangs loose, as described above.
3. Tighten the screw again.

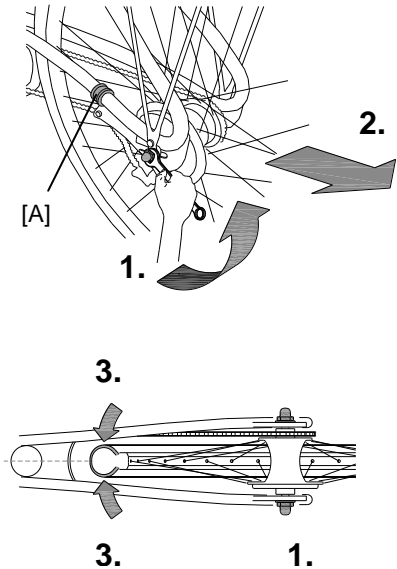


Adjusting chain tension

(Viki, Vik, Viktoria, Viktor)

To keep the chain tension correct, the back wheel axle is adjusted. Follow the instructions below:

1. Slightly loosen the nuts of the back wheel axle, so that the back wheel can move backwards and forwards.
2. Slide the back wheel backwards, so that the chain is hanging loose, as described earlier. Also slide the bracket (A).
3. At the same time make sure that the wheel is straight and positioned in the centre of the frame, as illustrated. Not to the left or to the right.
4. Slightly tighten the nuts.
5. Check whether the chain tension is correct and whether the wheel is straight and in the centre of the frame.
6. Tighten the nuts again.



The right lubricant

The chain should be cleaned and maintained at regular intervals (every 3 months approximately). Only use special chain grease or Teflon spray. This is the only way to make sure that the chain will run smoothly, will stay water resistant and will not rust.

Wipe the chain with a cloth, treat it with grease or spray and remove any excess lubricant with a rag.

Other parts should not be treated with a lubricant.

Checking the rim

Due to the combined action of the brake and the rims, not only the brake lining but also the condition of the rim is important. For this reason the rim should be checked at regular intervals, for example when you inflate the tyres. The presence of fine cracks in the spoke punches or deformation of the rim when there is higher air pressure, indicate more serious wear and tear. In that case the rim should be replaced, because it can lead to loss of brake function or even a crack in the rim, which can lead to all kinds of dangerous consequences.

Repairs and maintenance to be done by dealer

It is recommended that the tricycle has a yearly inspection carried out by the dealer. In the event of technical trouble or faults, the tricycle should be taken to the dealer for repairs **immediately**.

The replacing of safety-related components (especially frame, brakes, illumination, handle bars, front fork and actuation) should be performed by the dealer.

If you still decide you want to replace components yourself, you are responsible for damage or harm due to incorrectly fitted components.

Only use original spare parts, which you can buy at you dealer. If requested the dealer will make the necessary information on repair and maintenance available.

Disposal

If you want to dispose your tricycle, contact your dealer. You can also contact the local waste disposal company. They will dispose the tricycle according to the regulations of your town.

Handover/sale to a new owner

When you hand over your tricycle to a new owner it is important that you also hand over all necessary technical documentation so that the new owner can use the bicycle safely.

Guarantee

The guarantee is valid for all faults in the product, which are proven to be caused by material or manufacturing error.

For our tricycles we give a guarantee of 5 years on the frame and the front fork. For the paint, all accessories and other parts (except wear parts) we provide a 2 year guarantee, as legally regulated.

Beware!

The guarantee as well as the product liability in general expires if the instructions stated in this manual are not followed. This is also the case if unauthorized maintenance is carried out or if technical changes or additions are made without permission of Van Raam.

Frame number

The frame number is printed on the sticker. This sticker is located on the frame, see the images below.

At the Viki, Vik, Viktoria, Viktor the frame number is stamped in the frame, see the images below for the positions.

Example sticker:



Frame number

Positions of frame number, stamped in the saddle tube (Viki and Vik) or stamped in a plate on the frame (Viktoria and Viktor):

Viki



on the back of the saddle tube

Vik



on the back of the saddle tube

Viktoria



in a plate in front of the hinge plate

Viktor



in a plate in front of the hinge plate

Position of the sticker on the Husky, Mini, Midi and Maxi:

Husky



on the frame tube

Mini



on the back of the saddle tube

Midi



on the back of the saddle tube

Maxi



on the back of the saddle tube

Maxi Comfort



on the back of the saddle tube

Position of the sticker on the Easy Rider Junior, Easy Rider and Easy Sport:

Easy Rider Junior



on the frame tube

Easy Rider



on the frame tube

Easy Sport



under the chair
tube