

## User Manual



**Easy Rider 3**



**Easy Rider Junior**



**Easy Sport**

Van Raam  
Guldenweg 23  
7051 HT Varsseveld, The Netherlands

☎ +31 (0)315 – 25 73 70

✉ info@vanraam.com

🌐 www.vanraam.com




Version 21.03

## Table of contents

Manufacturer contact details .....	3
Conformity .....	3
Introduction .....	3
Delivery .....	4
Indication .....	4
Intended usage .....	5
Safety measures .....	6
Adjustment of the tricycle .....	10
Before use .....	20
Electro system Silent .....	24
Van Raam E-Bike App .....	33
Options .....	35
Technical specifications .....	43
Cleaning and maintenance by owner .....	44
Repair and maintenance by dealer .....	46
Return point for removal .....	52
Handover / sale to a new owner .....	52
Warranty .....	53
Frame number .....	54
Service, maintenance and modifications form .....	55
Delivery and service form .....	59

## Manufacturer contact details

Van Raam  
Guldenweg 23  
7051 HT Varsseveld, The Netherlands

 +31 (0)315 – 25 73 70

 [info@vanraam.com](mailto:info@vanraam.com)

 [www.vanraam.com](http://www.vanraam.com)

## Conformity

Van Raam Reha Bikes B.V. declares as manufacturer that the tricycles, as described in this user manual, have been produced in accordance with regulation (EU) 2017/745, risk class 1. The tricycles fitted with the Electro system Silent also comply with the 2006/42/EC directive including the EMC directive 2014/30/EU and the NEN-EN 15194:2017 Bicycles - Electrically supported bicycles - EPAC Bicycles - part 4.2 Electrical requirements. The signed declaration of compliance can be found on the Van Raam website.

## Introduction

This user manual provides important and necessary information about the use of the Easy Rider, Easy Rider Junior and Easy Sport. In this document, when we mention the Easy Rider, this refers to the Easy Rider 3, both the Medium and the Large variant, unless otherwise stated.



**READ CAREFULLY**

We request that you read this manual thoroughly before using the bicycle. Always follow the instructions as included in this user manual.

For children and people with limited mental perception, all safety and handling aspects of this manual must be made understandable by a responsible supervising person.

## Delivery

Delivery must include the following:

- Bicycle with any packaging
- User manual(s)
- Possible Smart battery including card with 5-digit code (depending on options)
- Possible chargers (depending on options)
- Spare keys

Check the delivery immediately upon receipt. In case of damage or an incomplete delivery, we request that you contact your dealer immediately. On delivery, complete the "delivery and service form" on the back of this user manual with your dealer.

## Indication

Children or adults who cannot use bicycles or vehicles due to their disabilities may be able to ride these tricycles. The tricycles can be used by children or adults with a neuromuscular disease (such as congenital brain injury, non-congenital brain injury or muscular dystrophy). This also applies to problems with, for example, coordination, balance disorders and limited natural movement possibilities. If necessary, supervision may be desirable.

## Intended usage

The tricycles are designed for normal use on a flat, solid surface. The usual caution for bicycles should always be observed. The safety instructions as described in this manual must also be strictly followed. Also, the local rules for participation in traffic must always be observed.

The bicycle is intended for one person, this user must be independently mobile and must not have any heavy visual or other restrictions that make it impossible to participate in traffic in a responsible manner. The maximum user weight and luggage weight (can be found under the chapter '**Technical specifications**') may not be exceeded.

Any other use, including damage or injury resulting from this, is not the responsibility of the manufacturer.

## Safety measures

- Take immediate action if any part is loose while using the bicycle, if slack is detected or if you hear a strange noise. If you cannot solve the problem yourself, please contact your Van Raam dealer. Pay particular attention to the wheels, handlebars and seat.
- Only use the bicycle on a **solid and level surface**.
- It is recommended to drive slowly on slopes.
- If you stopped on a slope, pull away slowly and if necessary, lean forward to prevent the front wheel from losing contact with the road surface.
- Do you roll backwards on a slope? Brake in doses to prevent the front wheel from losing contact with the road surface.
- The following accessories can adversely affect stability on a slope: rollator holder, stick holder, wheelchair holder or a loaded shopping basket.
- Make sure that no dangerous speed develops on descents. Brake on time and cycle at a moderate speed.
- Be careful not to get baggy pants or loose-fitting clothing caught in the chain, wheels, pedals and other rotating/moving parts.
- Do not use a high pressure or steam cleaner for cleaning.
- Use the parking brake when you park (and leave) the bike. Also use the parking brake to block the bicycle from pulling away when getting on and off. See chapter **"Before use"** for correct use of the parking brake.
- Lock the tricycle at all times if you leave the bike unattended.
- During pregnancy, extra caution is required because of an increased risk of injury.
- Do not put the bicycle in direct sunlight: the temperature of some parts can exceed 41°C. Contact with the skin may cause skin sensitisation.
- Note: brake discs can become hot during braking. Be careful not to touch the brake discs shortly after a bike ride.
- If pedal assistance is available on the bicycle: practice with the starting aid and the reverse function. When using the bicycle, make sure that the starting aid or the reverse function is not unintentionally activated. For example, if when stopping at a traffic light, the pedals are turned backwards, the reverse function will be activated and the bicycle will start to reverse. Practice using the reverse

and ride away functions. For more information, carefully read the chapter "**Electro system Silent**".

- If a charger is supplied with the bicycle, also read the information under the heading "Charger Safety Precautions" in the "**Electro system Silent**" chapter.



High speeds when cornering and on uneven terrain, or taking a too sharp turn, can lead to **overturning** the tricycle.



**Extra attention** is required if a child or an adult with limited mental perception uses the bicycle.

Before the child or adult with limited mental perception starts cycling independently for the first time, they must first practice on the bicycle under supervision.

Pay particular attention to the steering behaviour, as this can be a great source of danger. Also explain that the widest part of the bike is behind the rider. Let the rider practice passing some obstacles to get a sense of how wide the bike is.

Children or adults with limited mental perception must **always** be made aware again of the possible dangers when using the tricycle.

- **Never** leave a child alone with the bicycle unattended!
- Have a child **always** wear a bicycle helmet! Make sure the helmet fits correctly.
- Have a child wear noticeable, reflective clothing.
- It is recommended to mount a flag on the bicycle that protrudes above the child.

## Tips for safe biking

Make sure you have properly adjusted the bike to the dimensions of the rider, then you can use the bike safely and comfortably.



Riding a tricycle is a completely different experience compared to riding a bicycle with two wheels.

## Important safety points for the rider

- Ride very carefully on the first ride.
- Practice especially cornering and braking, because a tricycle can react in the opposite way from what you would expect.
- Keep your hands on the handlebars and feet on the pedals while riding.
- Test the driving behaviour of the tricycle at an appropriate speed on an uneven surface. This way you learn to react better to unexpected movements of the bicycle and the handlebars during use.
- Explore how the tilting movement of the tricycle responds to body position. Hang to the inside of the turn. Take turns at an appropriate speed.
- Small obstacles must be ridden over at an appropriate speed.
- Obstacles higher than five centimetres should be avoided.
- One of the brake levers operates the brake on the front wheel. Extra caution is required here, because the front wheel can lock if the brakes are pulled too strongly. Practice with phased braking.

## Check before every ride

Contact your dealer and do not use the bicycle if you notice irregularities during the check!

- Check that the brakes are working correctly. The brakes should work and you should feel pressure on the brake lever.
- Make sure there is enough air in the tires. The tires may be inflated to the maximum pressure indicated on the side of the tire. Tip for extra comfort: You do not have to inflate the front wheel to the maximum pressure, but make sure you always stay above the minimum specified pressure.
- Check that the lights are working correctly. See chapter '**Before use**' for the correct setting of the lighting.



- Check that the seat and handlebars are secure. See chapter '**Adjusting the bicycle**' for the correct adjustment of the seat and handlebars.
- Make sure the battery is sufficiently charged (optional).

As with all mechanical parts, the bicycle is subject to wear and tear and high loads. If a component fails, it can lead to very dangerous situations and to damage or injury to the bicycle user. Any cracks, scratches or change of colour in heavily loaded parts of a component is an indication that the part must be replaced.

### Load

The maximum permissible load must not be exceeded. See the information in the table with technical data under the chapter "**Technical specifications**" in the user manual.

Note that a basket full of luggage can significantly affect driving behaviour (especially on slopes). No luggage may be carried on or hanging from the handlebars that restricts bicycle riding.

### Damaged or worn parts

The replacement and repair of the parts (frame, front fork, lighting, brakes, drive and handlebar) should **always** be carried out by a dealer. Otherwise, the warranty will be void and the user will be liable for any damage.



Safety related parts must **always** be replaced by new parts!



If there is any doubt about the functioning or the condition of components on the bicycle, for example due to visual damage, slack or strange noises, an authorized Van Raam dealer should always be consulted.

As with all mechanical parts, the bicycle is subject to wear and tear and high loads. If a component fails, it can lead to very dangerous situations and to damage or injury to the bicycle user. Any cracks, scratches or change of colour in heavily loaded parts of a component is an indication that the part must be replaced.

## Adjustment of the tricycle

Before you start using the bike, set it to the dimensions of the rider. This is essential, especially for the seat and handlebars.



*If an optimal setting is not possible with the described instructions, you can contact your dealer for a suitable solution.*

The brakes are correctly adjusted as standard and should only be checked and adjusted by the dealer during regular maintenance.

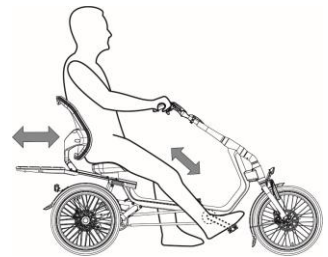


Make sure that fingers and other limbs do not get caught when adjusting the tricycle.

### Easy Rider

#### Seating position

A rule of thumb for adjusting the seating position is the following. The rider sits on the bicycle and puts one foot on the pedal in the furthest position from the rider. Adjust the sitting position so that in that situation the leg is straight, but still relaxed. You determine the most comfortable position yourself in practice.

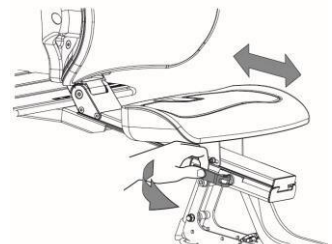


#### Adjusting the seat

To adjust the seat:

1. Open the quick-release lever.
2. Slide the seat to the correct position.
3. Close the quick-release lever.

**Please note!** The luggage tray slides with the seat. Be alert to the tipping behaviour of the bicycle when the platform is fully loaded in the extreme position.

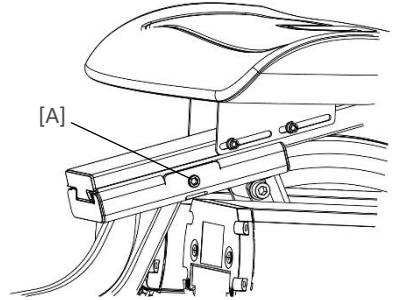




The bicycle is delivered with the correct tension on the lever. The clamping lever therefore does not have to be loosened or tightened.



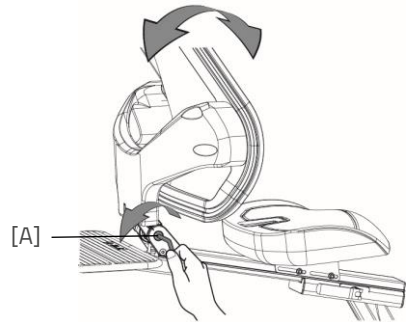
If the quick-release lever no longer clamps the seat properly, the quick-release lever bolt [A] must be adjusted to the correct tension. You do this by holding the quick-release lever in the closed position tightening the bolt [A] on the other side with an Allen key. Then check the functioning. The quick-release lever must be manually operable and the seat must not slide when closed. If the seat will no longer slide with an open quick-release lever, the bolt [A] has probably been over-tightened.



### Backrest position

The backrest can be adjusted to the desired position.

1. Loosen the hexagon bolt [A] a few turns with an Allen key.
2. Adjust the backrest to the desired position.
3. Retighten the hexagon bolt [A].



## Handlebar position

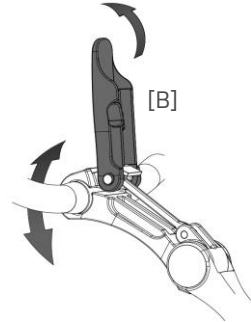
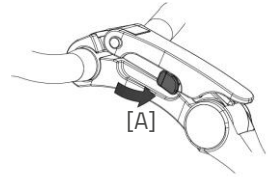
You can tilt the handlebars. This affects the distance from the handlebars to the upper body. You determine the most comfortable position yourself in practice.

To tilt the handlebars:

1. Press and hold the button [A] on the side of the handlebar stem to release the lever.
2. Open the top [B] of the handlebar stem by raising the lever.
3. Place the handlebars in the desired position and close the top of the handlebar stem.



*The bicycle is delivered with the correct tension on the lever. If the bracket does not close properly and the handlebars are not properly secured, the handlebar stem will need to be readjusted. See the chapter 'Repair and maintenance by dealer' for more information.*

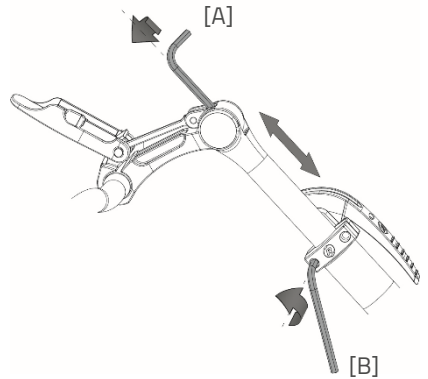


## Handlebar height

The height of the handlebars influences the riding comfort. This determines the pressure on the hands and the posture of the back. You determine the most comfortable position yourself in practice.

To adjust the height of the handlebars:

1. Tilt the handlebars to the lowest position as shown in the picture. (Read handlebar position for information on tilting the handlebar stem)
2. The hexagon bolt can be reached by tilting the handlebars downwards.
3. Loosen the bolt [A] with a few turns with an Allen key.
4. Then loosen the parking brake clamp bolts a few turns [B].
5. Slide the handlebar stem to the correct height and then re-tighten the screw.
6. Finally, re-tighten the parking brake clamp bolts [B]. Make sure the parking brake clamp always connects to the handlebar tube [C].



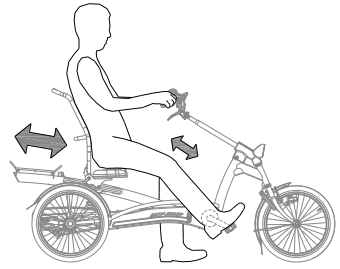
Do not pull out the handlebar stem further than the mark, otherwise the tube will not penetrate deep enough into the shaft and there is a risk of breaking off, which could result in serious injury.



## **Easy Rider Junior**

### **Seating position**

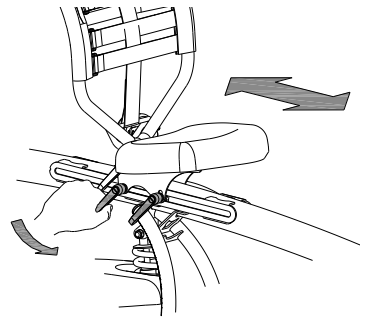
A rule of thumb for adjusting the seating position. Consider the following. The rider sits on the bicycle and puts one foot on the pedal in the furthest position from the rider. Adjust the sitting position so that in that situation the leg is straight, but still relaxed. You determine the most comfortable position yourself in practice.



### **Adjusting the seat**

To adjust the seat:

1. Loosen the four clamping levers on the left and right a few turns.
2. Slide the seat to the correct position.
3. Tighten the four clamping levers again.



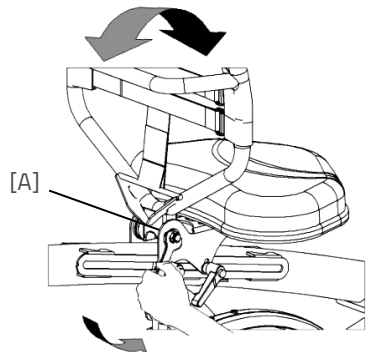
*If the levers are in each other's way, a lever can be pulled out and turned away.*

### **Backrest position**

The backrest can be adjusted to the desired position.

To do this:

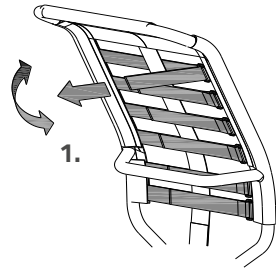
1. Loosen the hexagon bolt [A] a few turns with an Allen key.
2. Adjust the backrest to the desired position.
3. Retighten the nut.



## Backrest firmness

To make the backrest softer or tighter:

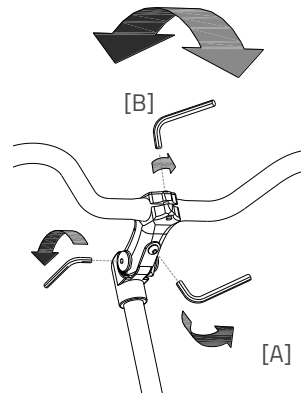
1. Open the straps by loosening the Velcro.
2. Tighten or loosen the straps.
3. Re-attach the Velcro.



## Handlebar position

You can tilt the handlebars. This affects the distance from the handlebars to the upper body. You determine the most comfortable position yourself in practice. To tilt the handlebars:

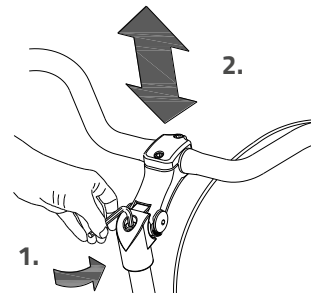
1. Loosen the bolt [A] with a few turns with an Allen key.
2. Move the handlebars to the desired position and then re-tighten the screw firmly.
3. Loosen the screw [B] a few turns with an Allen key, return the handlebars to the correct (flat) position and then re-tighten the screw.



## Handlebar height

The height of the handlebars influences the riding comfort. This determines the pressure on the hands and the posture of the back. You determine the most comfortable position yourself in practice. To adjust the handlebars:

1. Loosen the screw a few turns with an Allen key.
2. Slide the handlebar stem to the correct height and then tighten the screw firmly again.



Do not pull out the handlebar stem **further** than the mark. Otherwise, the tube will not penetrate deep enough into the shaft and there is a risk of breakage, which could result in serious injury.



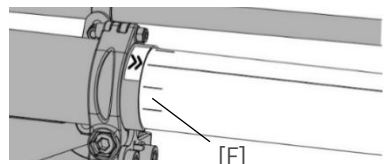
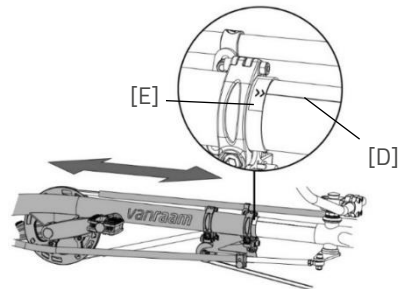
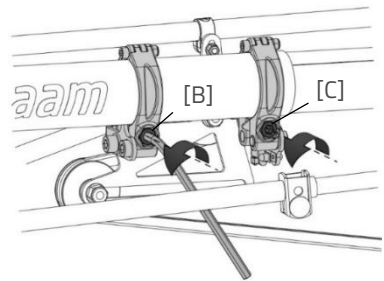
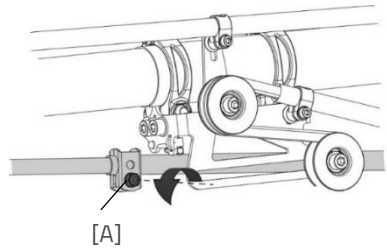
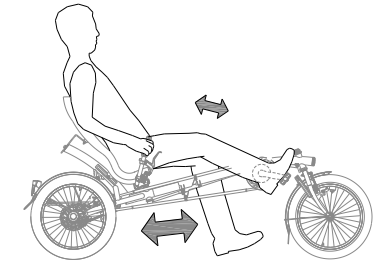
## Easy Sport

### Seating position and frame length

By default the bike is fitted with a derailleur. Therefore, the length of the chain does not have to be altered when the length of the bike changes. The range of this mechanism however, is limited. In case more chain length is needed for a correct position of the derailleur, or a larger range is needed, you can re-position the chain tensioners or extend the chain, see "*setting the chain tension (Easy Sport)*".

A rule of thumb for a correct seating position is as follows. The driver sits on the bike and puts one foot on the pedal that is furthest away from the driver. Now set the seating position to where the leg is stretched, yet still relaxed. The most comfortable seating position however, you have to decide for yourself. The seating position can be changed by altering the frame length. In order to do so. Follow these steps:

1. Use a spanner to loosen up the bolt of the steering rod [A].
2. Use an hex key to loosen up the two bolts of the frame clips [B and C].
3. Move the front of the frame and set it to the desired length. **Caution!** The frame may not be extended further than the marking on the inner tube [F].
4. Make sure that the line on the inner tube [D] aligns with the position of the sticker marker [E].
5. Now using a hex key tighten the two bolts on the frame clips [B and C].





- Put the front wheel in a straight position and use a spanner to tighten the bolt of the steering rod [A].



The front on the frame may not be extended further than the marker [F]. If this is not observed, the inner tube does not reach far enough into the outer tube.

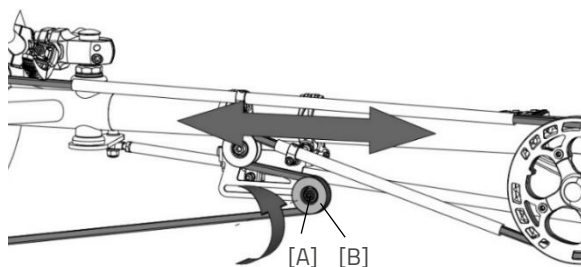


Note that after extending the frame, while tightening the frame clips, these clips are positioned at least 1 cm from the end of the tube. A good indication for this is if the sticker marker [E] is fully visible.

### Setting the chain tension of the front chain (Easy Sport)

In order to extend the bike further or to alter the position of the derailleur, the chain tensioners [B] can be moved. Follow these steps:

- Loosen the bolt of the chain tensioner [A].
- Re-position the chain tensioner [B] to reach the desired tension.
- Now tighten the bolt [A] back up.



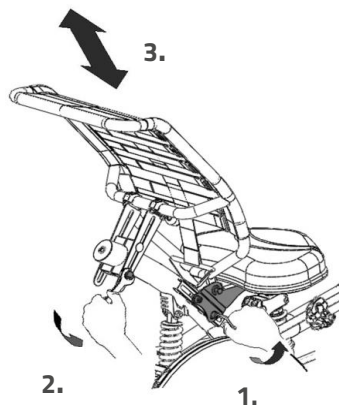
In order to extend the bike to its maximum length (from a body length of approximately 1.90m), the chain most likely has to be extended by a dealer. When your bike is fitted with a fixed gear or a back-pedal-break, it may also be needed for you to extend or shorten the chain in order to reach the desired frame length. In the chapter 'Repairs and maintenance by dealers' more information can be found. The chain tensioner [B] described above can then be used in order to set the chain to the desired tension.

### Seat height (Easy Sport with comfort seat)

The seat can be adjusted to the desired height. You determine the most comfortable position yourself in practice.

To adjust the height:

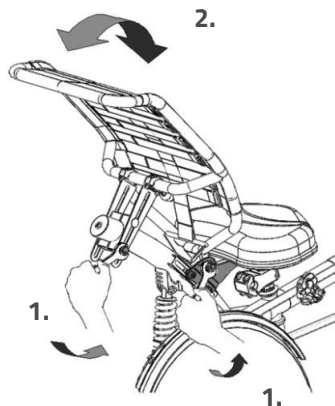
1. Loosen the four screws a few turns with an Allen key.
2. Loosen the two nuts a few turns with a wrench.
3. Move the seat to the desired height and re-tighten the nuts and then the screws.



### Backrest position (Easy Sport with comfort seat)

The backrest can be adjusted to the desired position. To do this:

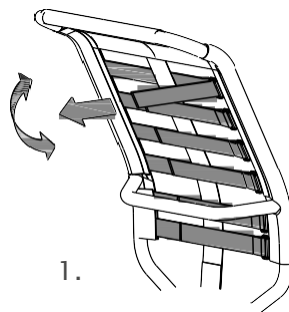
1. Loosen the three nuts a few turns.
2. Move the backrest to the desired position and then tighten the nuts again.



### Backrest firmness (Easy Sport with comfort seat)

To make the backrest softer or tighter:

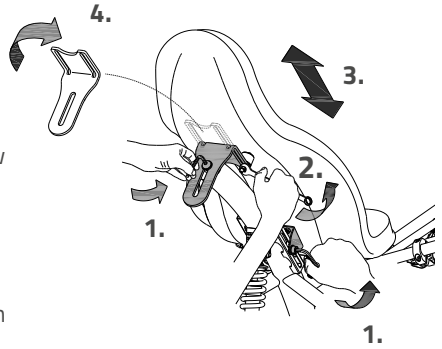
1. Open the straps by loosening the Velcro.
2. Tighten or loosen the straps.
3. Re-attach the Velcro.



### Seat height (Easy Sport with recumbent cockpit)

The seat can be adjusted to the desired height. You determine the most comfortable position yourself in practice. To adjust the height:

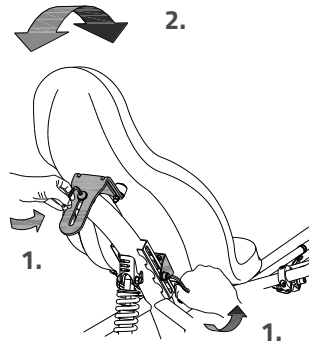
1. Loosen the three screws a few turns with an Allen key.
2. Loosen the two nuts on the backrest a few turns with a spanner.
3. Move the seat to the desired height and then retighten the screws and nuts.
4. **Please note:** The bracket can be secured in two ways. By turning the bracket around the seat can be mounted extra high.



### Backrest position (Easy Sport with recumbent cockpit)

The backrest can be adjusted to the desired position. To do this:

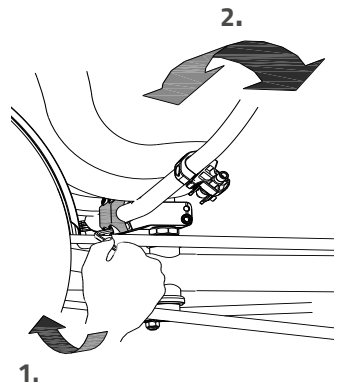
1. Loosen the three screws a few turns with an Allen key.
2. Move the backrest to the desired position and then tighten the nuts again.



### Handlebar position

You can tilt the handlebars. You determine the most comfortable position yourself in practice. To tilt the handlebars:

1. Loosen the three screws a few turns with an Allen key.
2. Place the handlebars in the desired position and then tighten the screws firmly.

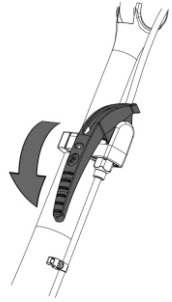


## Before use

### Parking brake

(Easy Rider, Easy Rider Junior, Easy Sport)

Always use the parking brake when you park (and leave) the bike. The image shows the parking brake in the parked position.



Always try to park the bicycle on a level surface. It is not recommended to park the bicycle on a slope steeper than 10%.

### Lighting

Normally, the lighting on the bicycle can be manually operated and adjusted to different positions. When the bicycle is equipped with the Electro system Silent, the lighting switches on automatically when the electrical system is activated. Below, the operation of both the manually operated lighting and the centrally operated lighting is explained.

## Manually operated headlight

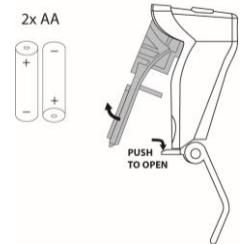
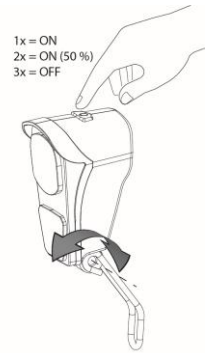
### (Easy Rider, Easy Rider Junior, Easy Sport)

The headlight has a push button with three positions: ON – ON [50%] – OFF.

Adjust the angle of the headlight so that the center of the light beam is approximately ten meters in front of the bicycle.

The headlight works with batteries. When the batteries are low, a red LED button lights up where the headlight's push buttons are. Follow the steps below to replace the batteries.

1. Open the lamp by pressing down on the lip of the housing and pulling the front of the lamp off.
2. Replace the two alkaline batteries (2x AA).
3. Reassemble the lamp by first pressing the top into the housing and then snapping the bottom back into place behind the lip.



Only operate the lighting when stationary to avoid dangerous situations and the risk of injury.

## Manually operated rear light (Easy Rider, Easy Rider Junior, Easy Sport)

The rear light has an on/off button with which **Off-Auto-On** can be set.

The seating is as follows:

*Press 1x lighting is on*

*Press 2x lighting is automatic*

*Press 3x lighting is off*

In the "On/Off" position, the rear light can be switched on or off manually.

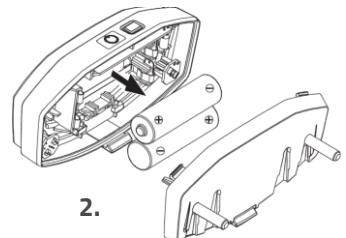
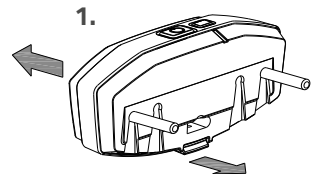
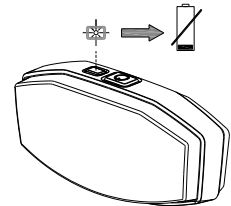
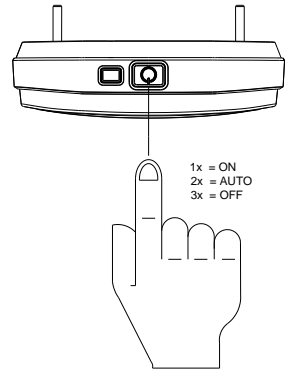
In "Auto" mode, the rear light turns on or off automatically using light and motion sensors. If no movement is detected after some time, the lighting will switch off automatically.

The headlight works with batteries. When the batteries are almost empty, a red LED on top of the rear light will flash. Follow the steps below to replace the batteries.

1. Remove the cover from the housing by pressing in the lip on the bottom.
2. Replace the alkaline batteries (1.5 V – 1500 mA) and fit the cover.



*Batteries pollute the environment. When disposing of, please follow local regulations.*



## Centrally operated lighting

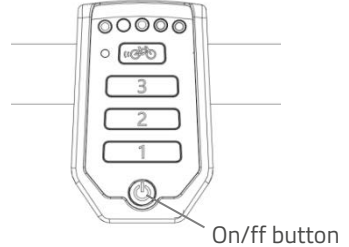
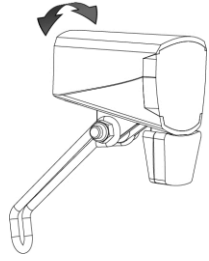
(Easy Rider, Easy Rider Junior, Easy Sport)

The bicycle is equipped with centrally operated lighting (front and rear) with the lighting connected to the electrical system.

The lighting switches on automatically when the electrical system is activated.

Adjust the angle of the headlight so that the center of the light beam is approximately ten meters in front of the bicycle.

You can switch the lighting on and off manually by briefly pressing the on/off button on the display. When the electrical system is switched off, the lighting switches off automatically.

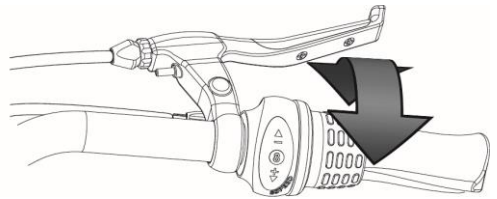


*Make sure that there is always a charged battery on the bike when you go cycling in the dark!*

As soon as the battery is almost empty, the motor no longer provides assistance while cycling. The operable lighting will still work on the residual power.

## Gears

The bicycle is optionally equipped with gears. The gears are operated by turning the handle. **Don't pedal** while turning the gears.



Before you actually start cycling, read the chapter '**Safety Precautions**' and make sure you understand it.

## Electro system Silent

The Silent system is a pedal support specially developed by Van Raam for the rehabilitation market. The Silent system is characterised by:

1. Smart E-Bike;
2. Easy operation;
3. 3 pedal assistance positions + starting aid;
4. Virtually silent motor;
5. Very powerful electric motors;
6. Modern and efficient electronics;
7. High-quality and safe batteries;
8. Individually adjustable cycling behaviour;
9. Cycling forwards and backwards with switched on pedal assistance.

The Silent system comes standard with a basic cycling behaviour that is tailored to the bicycle. In most cases this gives a well adjustable and smooth cycling behaviour with a good compromise between support and range. In special cases, individually adapted cycling behaviour is required. You can get information from your dealer about the possibilities of customised cycling behaviour.

### Functions

The electric motor has the following functions:

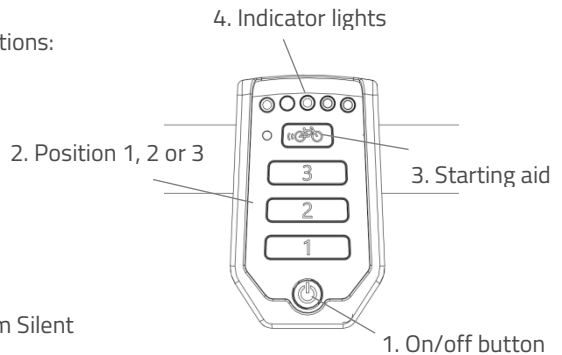
- Support while cycling
- Starting aid
- Reverse function
- Centrally operated lighting

#### 1. On/off button

With the on/off button the Electro system Silent can be turned on or off.

- Switch on: Briefly press the on/off button.
- Switch off: Press and hold the on/off button for two seconds.

After the system is switched on, the motor is active in position 1.







*If not in use, the system will automatically shut itself down after some time.*



Always switch off the electrical system before getting on and off the bicycle and when walking with the bicycle.

## 2. Pedal assistance position 1, 2 or 3

The desired pedal assistance can be set by means of the assistance positions 1, 2 and 3.

1. Low support, maximum range.
2. Average support, average range.
3. Maximum support, low operating radius.

You can change positions while cycling.



*The range depends on various factors and is strongly influenced by: capacity and voltage of the battery, degree of support, ambient temperature, wind force, tire pressure, driving speed, weight of the rider and load, use of gears, etc.*

## 3. Starting aid

The bicycle is equipped with a starting aid function. This allows the rider to accelerate up to a speed of approximately 6 km/h for a maximum of six seconds, without pedalling. To do this, the rider must hold the button down. The function is reactivated after pressing the button again. When pedalling, the function works as long as the button is pressed for up to six seconds, up to the maximum speed of the bike (20–25 km/h).

The starting aid function is used for:

- Extra support when starting off.
- Extra support when cycling up a hill.



*On a steep climb, the assistance can be set to position 3, where the starting aid can be pressed repeatedly for approximately six seconds for maximum support.*

#### 4. Indicator lights

The battery status is shown by the coloured indicator lights on the display. This indication consists of five green LEDs, the leftmost LED of which can light up red.



The battery is fully charged. When the battery is used, the number of green lights will decrease.



When two green lights are on, the battery is 50% charged.

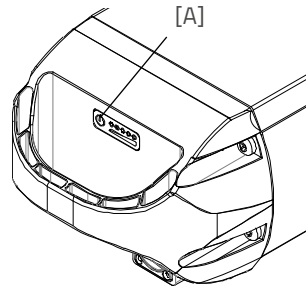


If only the red LED is still on, the battery is almost empty and the battery should be charged or replaced with a charged battery.



When the red LED starts flashing, the battery is empty and the motor will no longer assist while cycling. The operable lighting will still work on the residual power.

The battery is also equipped with a button and indicator that can be used to check the charge by briefly pressing the button [A]. The status of the battery is indicated by five green indicator lights, the leftmost of which may flash green. The battery is then almost empty. During charging, the battery shows the charging progress.



#### Reverse function

The reverse function is activated by pedalling backwards from a standstill. The motor is activated within a few seconds and the bicycle reverses at approximately 2 km/h as long as you pedal backwards.



Do not be surprised by the possible sudden behavior of the electric motor. For example, if you wait at the traffic light and playfully turn the pedals backwards, the reverse function will be activated and the bike will start to reverse!

### **Centrally operated lighting**

The bicycle is equipped with centrally operated lighting, which switches on automatically when the electrical system is activated. Further instructions can be found under the chapter "**Before use**".

### **Other functions**

The smart display has an automatic dimming function. With the help of a light sensor, the light of the display automatically dims when it is in the dark.

## Charging the battery

For optimal condition and capacity of the battery we recommend that you charge the battery inside at room temperature.



Only use the charger when the ambient temperature is between 0 and 35 degrees.

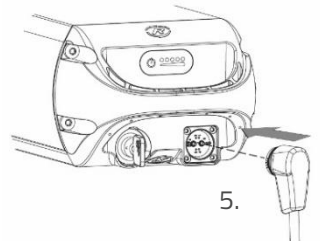
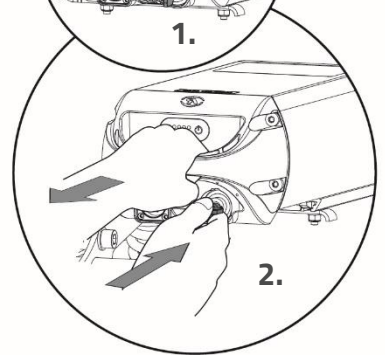
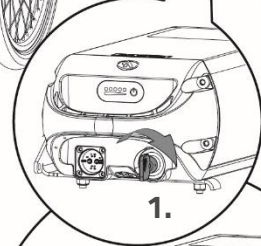
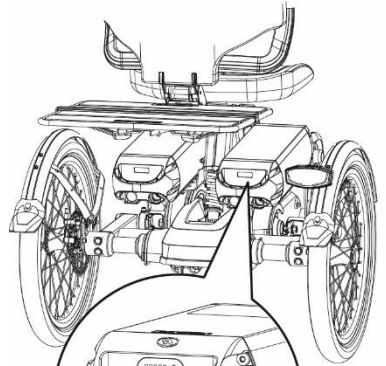
To charge the battery indoors, follow steps 1 to 9. To charge the battery on the bike, follow steps 4 to 8.

1. Unlock the battery by turning the key a quarter turn.
2. Press on the lock and hold it down. Then pull the battery out of the holder with the other hand.
3. Take the battery inside.
4. **First** plug the socket into the power outlet. The green LED lights up. The charger is now on stand-by.
5. **Then** plug the charging connector of the charger into the charging point of the battery. The red LED lights up. The charger is now charging.



**Please note!** If the battery is not properly connected the green LED is on (standby mode). If the connection is insufficient, remove the plug from the socket and disconnect the connector from the charger with a dry cloth.

6. The charging time depends on the battery status. The charging time is approximately 2 hours with a 10.7Ah battery and approximately 4.5 hours with a 24.8Ah battery.
7. As soon as the battery is fully charged, the green LED lights up continuously. **First** remove the charging connector of the charger from the battery connector.
8. **Then** remove the charger's plug from the socket.
9. Place the battery back into the holder on the bicycle and lock the battery.



Charger:

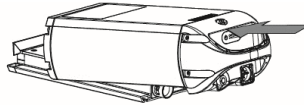
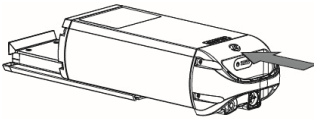
LED indication	Status
Green	Stand-by/ battery full
Red	Charging
Flashing red	Safety: Change polarity; Short circuit; Overheating; Over flow; Over voltage



It is better for the battery to charge periodically instead of waiting until it is completely empty. Never put the bicycle away with an empty battery!



Slide the battery **straight** into the carrier, **not at an angle**.



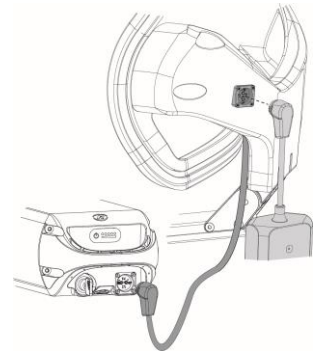
### External charging point (Easy Rider)

The bicycle is equipped with an external charging point in the backrest. For example, the battery can be charged via an easily accessible charging point without removing the battery from the bicycle.

**Please note:** The external charging point only applies to the standard seat.



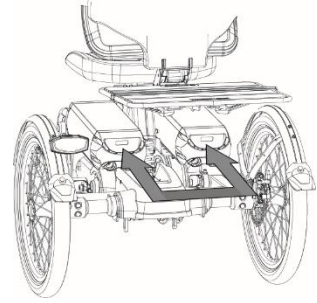
*If charging does not work, check whether the plug of the external charging point is properly connected to the battery.*



### **Backup battery (optional)**

The bicycle can be equipped with a second battery. As soon as the connected battery is empty, swap the batteries.

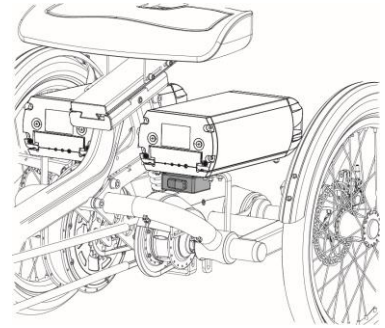
One battery holder is connected to the system, recognisable by the cables.



### **Switchable battery pack (optional)**

If you have two batteries, the bicycle can be equipped with the switchable battery pack option. As soon as the connected battery is empty, you can change batteries using a switch. This is located under the seat, carrier or battery.

Both battery holders are connected to the system. If desired, you can leave the empty battery out of the holder in the meantime to charge the battery.



### **Deep sleep mode**

When the battery is almost empty and has not been used for a week, the battery will go into a "deep sleep mode". In this mode, the battery consumes as little energy as possible, which extends the life of the battery.

When the battery is almost empty and has not been used for a week, the battery will go into a "deep sleep mode". By pressing the button on the battery, the battery comes out of 'deep sleep mode' and the battery can be used again. It is wise to first charge the battery before it is used.

## Charging and maintenance tips for the battery

- Never put the bicycle away with an empty battery. We recommend charging the battery as soon as possible when it is empty.
- The best storage charge for the battery is at a charge with three to five LEDs light up.
- In winter, check the battery charge every other month, top up if less than three LED's light up.
- Preferably store and use the battery between 5 and 20 degrees, avoid higher and lower temperatures.
- Do not charge the battery in direct sunlight and make sure that the battery is not charged at a temperature lower than 5 degrees.
- Only use the charger in non-humid indoor areas, the charger must not get wet.
- Only use the supplied Van Raam battery and charger.
- The housing of the battery and the charger must not be opened. In case of problems, please consult your dealer.
- A Van Raam battery may/cannot be overhauled for the safety and correct operation of the electrical system.
- Do not drop the battery as this can cause external and internal damage.
- If the bicycle malfunctions, the battery must be disconnected from the bicycle.



*Keep in mind that the bike provides less assistance at lower temperatures (0°C and below) and that the battery will drain more quickly. It also takes longer to charge at low temperatures.*



*Every battery drains over time. This process is called 'self-discharge'. A battery that is empty and not being charged can undergo a deep discharge due to self-discharge and thus become defective. The warranty is void in case of deep discharge.*



*Keep in mind that every battery wears out over time. The wear and tear process of the battery is inevitable and depends on several factors such as use, the number of times to fully discharged and charged and the ambient temperature. Even if the battery is not used, its capacity will decrease. A worn-out battery can be used as usual, but keep in mind that the range will be reduced.*

## Possible malfunctions

- The system cannot be switched on:
  1. Check that the battery is attached properly.
  2. Check the status of the battery. If it is empty, charge the battery.
  3. If the above does not provide a solution, please contact your dealer.
- The battery indicator LEDs on the display flash:

Continuous high load may cause the motor to overheat. The system will then reduce the assistance for safety reasons. After cooling down, normal assistance and indication is automatically restored.
- The assistance LEDs 1, 2 and 3 on the display flash:

In this case there is a motor malfunction. You will have to contact your dealer.
- If a red LED flashes on the charger, unplug the charger and stop using the charger and battery. In this case, contact your dealer.

## Charger safety precautions

- Only charge Van Raam Li-Ion batteries with the supplied charger. Only connect the charger to a suitable wall socket (220-240 Volt AC 50-60 Hz). When the charger is not in use, unplug the power cord and the battery plug.
- The charger may only be used by persons who have read the information in this manual and are familiar with the correct use of the charger. Keep the charger out of reach of children, they should not play with the charger.
- The charger is designed for use in a dust-free, dry and ventilated environment. Don't expose the battery to water, heat sources and direct sunlight. Keep the charger clean and dry.
- Do not charge batteries that feel hot. The battery must be at no higher than room temperature to be charged. Stop charging if the battery becomes abnormally warm (> 40 ° C). **Please note!** The charger can become warm during charging > 50 ° C. First, carefully feel whether you can pick up the charger, this temperature can cause hypersensitivity or a startled reaction when it comes into contact with the skin.
- Do not use the charger if it is visibly damaged or modified. Do not repair the charger! Contact your dealer. You may never open the charger yourself!
- Always keep an eye on the charger and battery while charging. When the battery is full, unplug the power cord and unplug the battery.



## Van Raam E-Bike App

The Van Raam bicycle app is a free smartphone app that you can use while cycling on your electric Van Raam bicycle.

### What can you do with the Van Raam E-Bike App for your Smart E-Bike?

- Can be used as a luxury bicycle computer.
- View battery data.
- Receive battery advice.
- Change bike settings.
- Send SOS message with GPS location to a number of your choice.
- View cycled routes.
- View information about the bike.
- Location/Find my bike.
- Receive push notifications.

With the Van Raam App, a connection can be made with the smart display via Bluetooth connection. As soon as the smart display is ready to connect to the smartphone, the on/off button will briefly turn blue.

This app can be used as a luxury bicycle computer for Van Raam bicycles with pedal assistance and also contains many other extra functionalities. The dashboard on the app shows the current speed, total distance, trip meter, battery capacity and power consumption during the bike ride. For more cycling data, there is a details screen including average speed, maximum speed, total distance, power, battery voltage, pedalling power and pedalling frequency.

The Van Raam E-Bike App can be downloaded free of charge from the Google Play Store or Apple App Store.

For more information about the Van Raam App, you can visit the Van Raam website: [www.vanraam.com](http://www.vanraam.com).





From the 15th of July, 2020, all electric Van Raam bicycles will be delivered as Smart E-Bikes. You can recognize this by the large sticker with a yellow border on the battery. If you have a Smart E-Bike and you download the updated app, there are even more options. A Smart E-Bike collects technical data, such as battery voltages and electricity usage. This allows notifications to be sent if, for example, the battery power is getting low.

In addition, the Smart E-Bike also collects location data from the battery if you give permission for this as a user. Van Raam never collects personal data such as the GPS location without your permission. More information about the data that is collected can be found in the Privacy and Cookie statement on the Van Raam website.

## Options

### Removing (and transporting) the Easy Rider seat

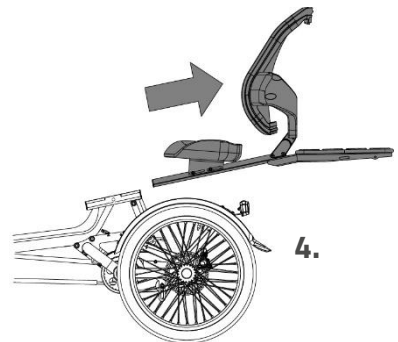
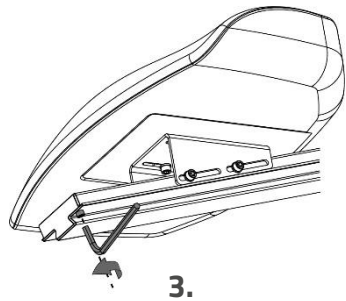
With the Easy Rider it is possible to detach the seating. This is a standard function that is present on every Easy Rider 3. By removing the seat, transporting the bike on a carrier might become easier. **Caution!** It is important to always check the maximum loading weight of your bike carrier and to not exceed this limit. Specifications of the Easy Rider can be found in the chapter **'Technical Specifications'**.

In preparation, line up the bike with the bike carrier while it is installed on the vehicle. This to allow for a smooth transition onto the carrier. Then follow these steps:

1. Engage the parking brake, remove any objects from the basket and remove any other loose objects that may fall off the bike.
2. In case you have an Easy Rider with pedal assist, first remove the charging cable. This is the cable leading from the battery to the external charging point in the seat.
3. To detach the seat, you need to remove the screw under the seat with an Allen key (size 4).

**Please note!** Store this screw in a secure place as you will need the screw once you place the seat back onto the bike.

4. Open the quick release pin on the side of the seat and pull the entire seating unit backwards to remove the seat from the bike.
5. You can now store the seat and the battery in the vehicle, and you can place the bike on the bike carriage.



*It is not possible to directly purchase a bike carrier for your Van Raam bike at Van Raam. There are several manufacturers that are specialised in making custom bike carriers, roof carriers or storage solutions for your bike. Please refer to the Van Raam website for more information.*

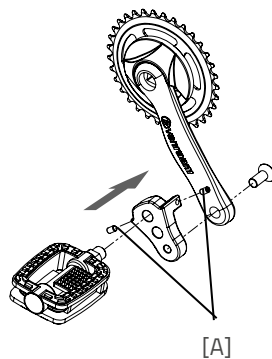
Do you have extra options on your bike? Some of these options are explained below. Additional options are available for purchase through a Van Raam dealer.

### **Crank shortener**

#### **(Easy Rider, Easy Rider Junior, Easy Sport)**

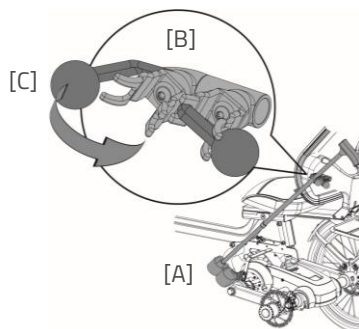
The crank shortener is attached to the crank (as shown). The pedal can then be mounted in two positions in the crank shortener.

With the adjusting screw [A], the crank shortener should be aligned with the crank.



### **Stick holder (Easy Rider)**

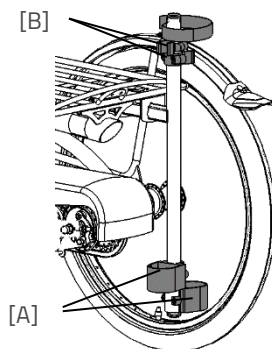
You can take two sticks with you in the stick holder. Place the stick in the holder at the bottom [A] and then press the stick into the clips [B]. Secure the stick(s) by hooking the ball [C] on the end of the elastic into the clamp.



### **Stick holder (Easy Rider Junior, Easy Sport)**

You can take two sticks with you in the stick holder. Place the stick in the holder at the bottom [A] and then press the stick into the clips [B].

Always secure the stick(s) with the Velcro.



## Foot fixation

### (Easy Rider, Easy Rider Junior, Easy Sport)

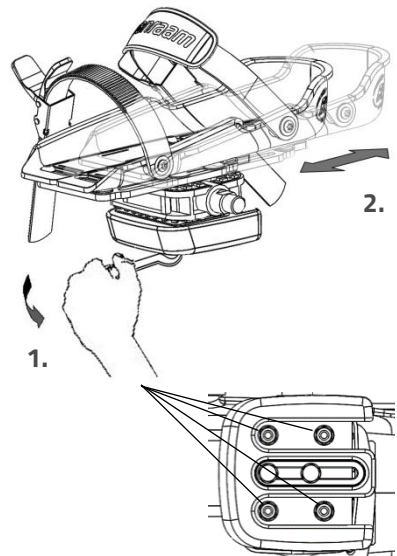
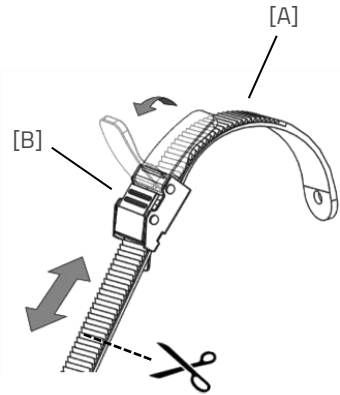
With the foot fixation you can fix the foot by sliding the two notched straps [A] into the quick releases [B].

The quick release can be unlocked by pulling the lip back completely. The notched strap can then be pulled out.

The notched straps can be cut to size. The strap must maintain an excess length of at least five centimeters.

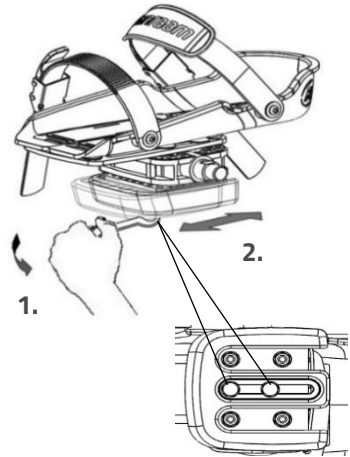
The position of the foot fixation on the pedal is adjustable in length. This allows you to pedal with the ball of the foot to apply optimal force.

1. Loosen the four nuts a few turns with a socket wrench.
2. Move the plate, including the footrest, forwards or backwards into the desired position. Then re-tighten the nuts.



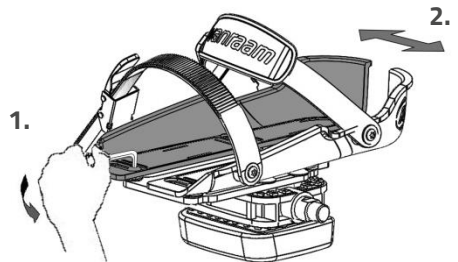
The foot fixation returns to its neutral position when not in use. The neutral position can be determined by sliding the balance block.

1. Loosen the two nuts a few turns with a socket wrench.
2. Slide the balance block into the desired position. Then re-tighten the nuts.



The footrest is also adjustable in width. Only the outer footrest can be moved.

1. Loosen the two bolts a few turns with an Allen key.
2. Move the footrest half to the desired position. Then re-tighten the nuts.



With the pedal extension, the footrest halves can be pushed further apart.

**Tip:** When adjusting the footrest, bring the rear parts together in a V-shape. This will give you a better fit, as a foot is narrower at the back than the front.



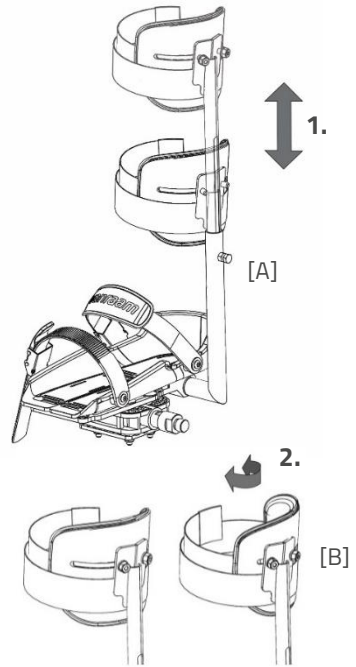
*The small footrest (Fix20) is suitable for size 22 to size 36. The width of the reach of this footrest is min. 6.5 cm to max. 9 cm. The large footrest (Fix25) is suitable from size 37 to size 48. The width of the reach of this footrest is min. 8.5 cm to max. 13 cm.*

## Lower leg fixation

### (Easy Rider, Easy Rider Junior, Easy Sport)

With the lower leg fixation option, you can fix the lower leg. To adjust the lower leg strap:

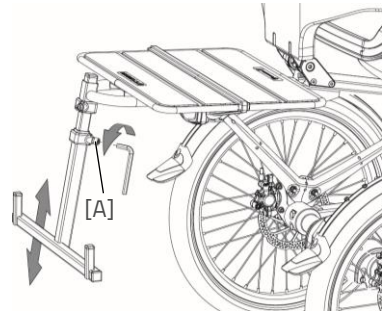
1. Loosen the bolt [A] a few turns with a wrench. Adjust the height of the lower leg fixation so that it matches the rider's lower leg. Then re-tighten the bolt.
2. Loosen the two nuts [B] a few turns. The angle of the leg cup can now be adjusted. Rotate the leg bowl to the correct position and then retighten the nuts.
3. Use the Velcro to secure the lower leg.



## Walker holder

### (Easy Rider, Easy Rider Junior, Easy Sport)

The walker holder adapter can be adjusted in height. To adjust, the bolt [A] must be loosened a few turns with an Allen key. Now the adapter can be adjusted to the desired height. Then re-tighten the bolt [A].



*The image differs from the Easy Rider Junior and the Easy Sport.*



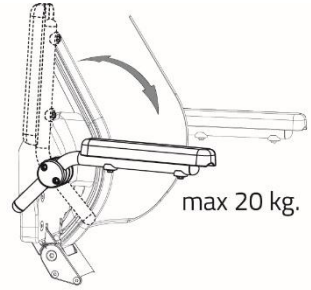
Pay attention to the maximum luggage weight. The 20 kilos on the carrier includes a walker. Do not exceed this weight and be aware that this option affects the tipping behaviour.

## Armrests (Easy Rider)

The armrests are individually foldable and can also be adjusted to different heights for the Easy Rider.

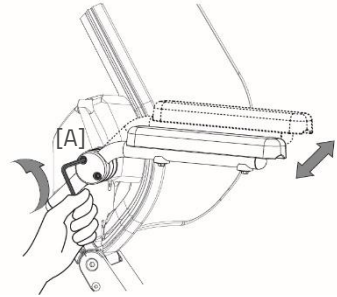


*The armrest must not be loaded with more than 20 kg.*



To adjust the armrests to the correct height (Easy Rider only):

1. Unscrew the two hexagon bolts [A] a few turns with an Allen key.
2. The armrest can now be adjusted to the desired height. Then re-tighten the bolts.



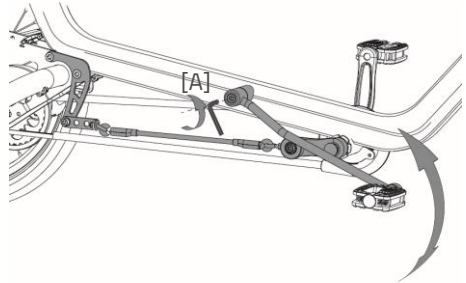
## Floating pedal

### (Easy Rider, Easy Rider Junior, Easy Sport)

The floating pedal can be set to different positions. To do this, the hexagon bolt [A] must first be loosened a few turns with an Allen key. The floating pedal can then be adjusted to the desired height. Then re-tighten the bolt.



*The image differs from the Easy Rider Junior and the Easy Sport.*

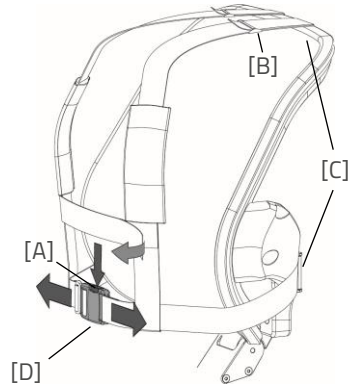




## 4-Points belt

### (Easy Rider, Easy Rider Junior, Easy Sport)

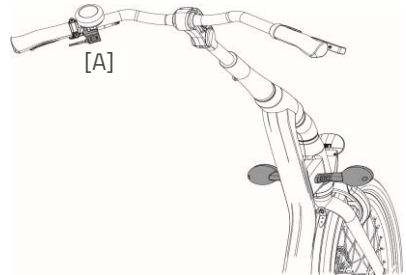
To open the belt, the buckle button [A] must be pressed. Then the buckle can be pulled apart. The 4-points belt is adjustable in length. This can be done by loosening the belt clips [C] on the back of the backrest. Now the desired length of the belt can be set using the buckle [B]. Then close the belt clamps [C] again. With the clamp buckle [D] you can tighten or loosen the belt.



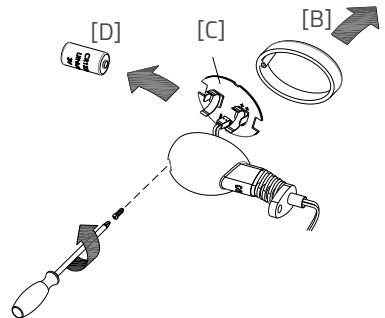
## Direction indicator

### (Easy Rider, Easy Rider Junior, Easy Sport)

To operate the direction indicator, push the switch [A] to the left or right. If you want to turn off the direction indicator, put the switch in the middle position.



The direction indicator works with batteries. To replace the batteries, loosen the screw on the cover and remove the orange cover [B]. You then remove the circuit board [C] from the holder. You can now replace the battery [D]. This is a 3-volt lithium battery, type CR123A.



*Batteries pollute the environment. When disposing of, please follow local regulations.*

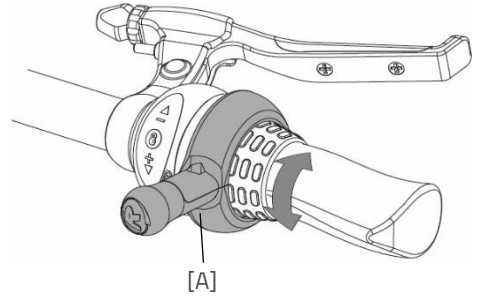


*The image differs from the Easy Rider Junior and the Easy Sport.*

## Gear lever

### (Easy Rider, Easy Rider Junior, Easy Sport)

The position of the gear lever can be determined based on the position of the shifter and the user's preference. To adjust the lever, the bolt [A] must be loosened a few turns with an Allen key. Now the lever can be adjusted to the desired position. Then tighten the bolt so that the lever clamps around the shifter sufficiently. **Please note!** Do not tighten the bolt more than necessary.



## Technical specifications

	Easy Rider Medium	Easy Rider Large	Easy Rider Junior	Easy Sport
<b>Inseam (cm)</b>	65-88	85-108	47-73	65-105
<b>Length (cm)<sup>1</sup></b>	225	242	175	195-225
<b>Width (cm)</b>	78	78	75	80
<b>Height (cm)</b>	116	116	102	104
<b>Entry height (cm)</b>	35	35	ca. 34	52
<b>Front Tire</b>	20"	20"	16"	20"
<b>Rear Tire</b>	20"	20"	16"	20"
<b>Weight (kg) configuration</b> Without electrical	49 (with seating)	51 (with seating)	36	39
<b>Max. weight user (kg)<sup>2</sup></b>	140	140	80	120
<b>Max. baggage tray (kg)</b>	20	20	20	20
<b>Brakes, front</b>	Mechanical disc brakes with parking brake Function	Mechanical disc brakes with parking brake function	Mechanical rim brake with parking brake Function	Mechanical rim brake with parking brake Function
<b>Brakes, rear</b>	Hydraulic disc brakes or backpedal	Hydraulic disc brakes or backpedal	Hydraulic disc brakes or backpedal	Hydraulic disc brakes or backpedal
<b>Suspension (lbs / inch)<sup>3</sup></b>	550 / 750* / 1000	550 / 750* / 1000	750	750

<sup>1</sup> Length (cm) with the standard version. The length may differ due to possible adjustments to the bicycle.

<sup>2</sup> This applies to the standard frame. The frame of the Easy Rider Junior and Easy Sport can be reinforced and made to measure. This is not possible with the Easy Rider.

<sup>3</sup> Suspension 750 lbs is the standard mounted suspension. More information about determining the correct suspension for the Easy Rider and replacing the suspension can be found under the chapter "**Repair and maintenance by dealer**".

## Cleaning and maintenance by owner

Below are instructions for maintenance and adjustments that you can carry out yourself on a regular basis. This keeps the condition of the bicycle optimal.

### Cleaning

The frame of the tricycle can be cleaned with a damp cloth. You can use a mild detergent for dirty spots.

The wheels can be cleaned with a damp brush with plastic bristles (no wire brush!) The saddle, the handles and the backrest can be cleaned with mild soap and water.



Do not use a high pressure- or steam cleaner!

### The right lubricant

The chain should be cleaned and preserved regularly (approximately every three months). Only use special chain grease or Teflon spray. This is the only way to ensure that the chain runs smoothly, remains water resistant and does not rust.

1. Wipe the chain with a cloth.
2. Treat the chain with grease or spray.
3. Rub off excess lubricants with a cloth.

Other parts should **not** be treated with a lubricant.

### Inspection of the tricycle

It is necessary that the tricycle is inspected at least annually by a dealer in order to be able to continue to claim under the warranty. Use the "Service, maintenance and modifications form" at the back of this manual. The first service should be carried out after the first 200 kilometres or after two months.

In case of malfunctions or defects, **immediately** contact the dealer for repairs.

The replacement of safety-related components (especially frame, brakes, lighting, handlebars, front fork and drive) must be carried out by your dealer.

If you do want to replace components yourself, you are liable for damage or injury as a result of incorrectly mounted components.

Only use **original** Van Raam spare parts, you can purchase these from your dealer. Upon request, the dealer will provide the necessary information for repair and maintenance.

## Repair and maintenance by dealer

During the service, check the brakes, rims, lights, chain tension and spokes. Also check the tread depth of the tires. This must be at least one millimetre. Worn tires or any defective parts must be replaced. Check the operation of the parking brake. With the fixed parking brake applied, the tricycle with rider on it may not ride away.

### Checking the rim

Due to the interaction of both the brake and the rims, not only the brake lining, but also the condition of the rim is important. For this reason, the rim should be checked at regular intervals, for example when inflating the tire. The presence of fine cracks in the rim flange at the spoke nipples or deformation of the rim with increased air pressure in the tire indicate greater wear. In that case, the rim must be replaced, because otherwise this can lead to a reduction in the braking effect or even a break in the rim with all the dangerous consequences that entails.

Repairs, maintenance and modifications may only be carried out with original Van Raam parts.

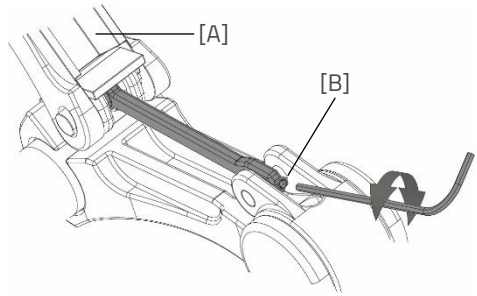
### Tightening torques

Onderdeel	Moment
Handlebar stem bolt Easy Rider Junior	21-23 Nm
Handlebar bolts Easy Rider Junior	12-14 Nm
Headset bearing handlebar	Free of slack
Headset bearing front fork	Free of slack
Swingarm mounting bolts Easy Rider	70 Nm
Motor nuts	50 N
Bottom brakcet bolts	30 Nm
Crank bolts	37 Nm
Calliper bolts	10 Nm
Wheel bolts	30 Nm
Wheel nuts	37 Nm
Bolt quick-release lever seat adjustment	10 Nm
Chest bolt backrest Easy Rider	25 Nm

### Setting the adjustable handlebar stem

If the handle of the handlebar stem does not close properly and the handlebars are not sufficiently clamped by the stem, the adjustment bolt must be readjusted.

Follow the following instructions to properly adjust the handlebar stem:



1. Open the handlebar stem bracket [A].
2. Now the adjusting screw can be set.
3. To increase the clamping force: tighten the adjusting bolt clockwise.
4. To decrease the clamping force: loosen the adjusting bolt counter clockwise.
5. Now close the handlebar stem bracket [A].



The bar must close with a resistance of 120-150 N. Otherwise, the handlebars may come loose while riding, resulting in serious injuries.

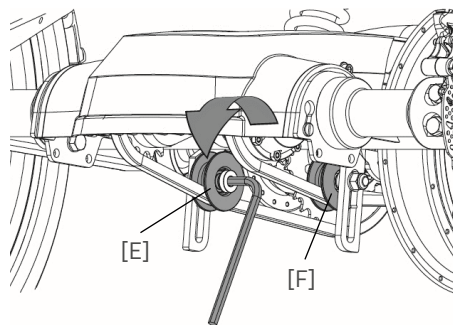
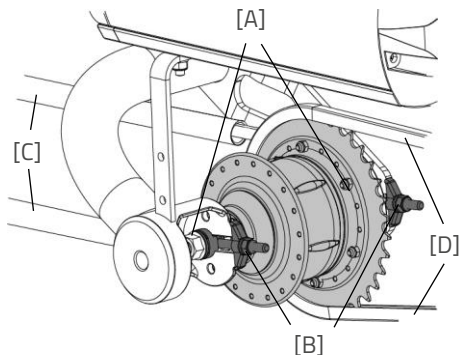
### The correct tension of the chain

The chain should not be too tight. It must be able to move. The chain should be able to be moved up and down by about half a centimetre without any effort.

## Adjusting chain tension (Easy Rider)

In order to set the chains to the correct tension, it is important that the correct sequence is followed. Follow the instructions below to adjust the hub and tension wheel so that the chains have the correct tension:

1. Loosen the nuts [A] on both sides of the hub.
2. Now tighten the nuts [B] to increase the tension of the chain [C]. Adjusting the tension of this chain will affect the other chain [D].
3. When the chain has the correct tension, tighten the nuts [A].
4. Adjust the tension of the next chain [D]. Loosen the bolt [E] a few turns with an Allen key. On the other side, prevent the nut from turning with a wrench.
5. Move the tension wheel so that the chain has the correct tension as described above.
6. Then re-tighten the bolt and nuts.
7. To adjust the tension of the motor chain [F], repeat the actions from steps 2 to 4 for this chain.

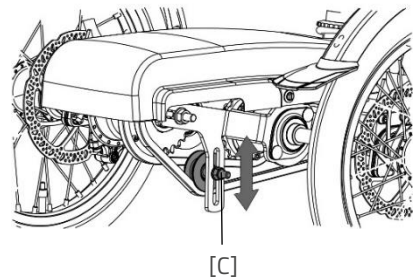
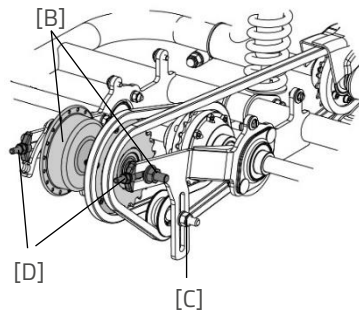
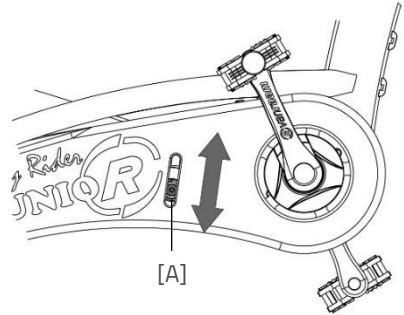




## Adjusting chain tension (Easy Rider Junior)

In order to set the chains to the correct tension, the following actions must be taken:

1. Loosen the nut [A] a few turns. On the other side, prevent the nut from turning with a wrench.
2. Push the tensioner upwards to increase the tension on the chain.
3. When the chain has the correct tension, tighten the nut [A] again.
4. Loosen the nuts [B] on both sides of the hub a few turns.
5. Then loosen the tensioner nut [C] a few turns.
6. Now tighten the nuts [D] to increase the chain tension. When the chain has the correct tension, the nuts [B] can be tightened.
7. Now pull the tensioner down to increase the tension on the chain and then retighten the nut [C].

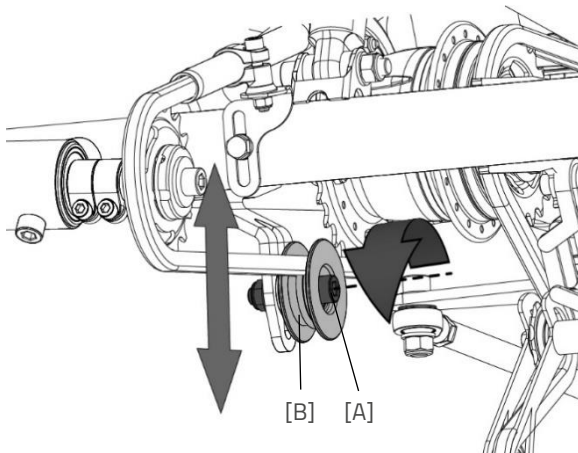


## Adjusting chain tension (Easy Sport)

In most cases it is not needed to change the tension of the front chain since the bike is fitted with a derailleur. In case the bike is fitted with a fixed gear or back-pedal-brake, or when the driver is taller than 1.90m, the length of the front chain may need to be changed. In this case the front chain will have to be extended or shortened by the dealer when the frame length is changed.

In order to tension the rear chain the following steps have to be taken:

1. Loosen up the bolt [A]. using a spanner, prevent the nut from spinning as well.
2. Push the chain tensioner [B] up or down in order to tension the chain.
3. Once the chain has the desired tension, tighten the bolt [A] back up.

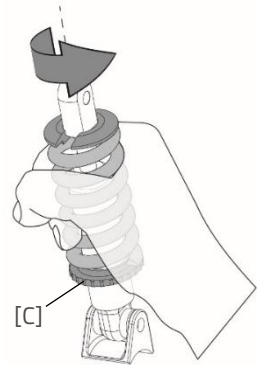
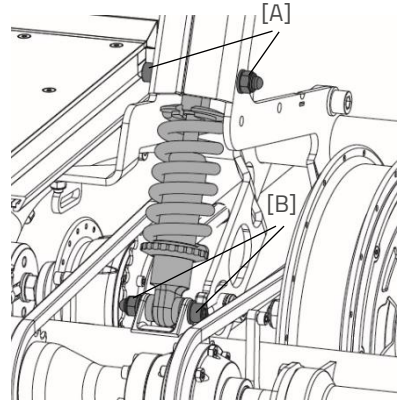


## Replacing the shock absorber (Easy Rider)

The Easy Rider has a suspension frame (optional choice of suspension suitable for the body weight). To replace the suspension is recommended to hang the bicycle in a hoist. Make sure the swingarm can hang freely from the rear fork.

To replace the suspension:

1. Loosen the hexagon bolt [A]. Hold a wrench on the nut, otherwise the nut will rotate.
2. Support the swingarm and loosen the bolt [A]. **Please note!** The swingarm will drop down if unsupported. Now slowly lower the swingarm.
3. Now the hexagon bolt [B] of the swingarm can be loosened.
4. The suspension can now be replaced.
5. **Please note!** The suspension must be mounted in the damper free of slack. To do this, turn the tension ring [C] in the direction shown in the picture. This can be done by turning the suspension by hand, the tension ring will then rotate.
6. Re-tighten the bolts [A, B].



For the best handling characteristics, it is recommended to choose a suspension that fits the weight of the user.

Suspension type:	User weight:
550 lbs	< 80 kg
750 lbs	80 – 110 kg
1000 lbs	> 110 kg

## Return point for removal

If you want to return the bike, please contact your dealer. You can also contact the local waste disposal company. He will recycle the bike according to the rules of your place of residence.

## Recycling the battery

If your battery is defective or if you are not longer using it, you must have it recycled. Please contact your dealer. They are responsible for complying with the recycling obligation. Ask them about the conditions or view the rules regarding recycling in your place of residence/country.

## Handover / sale to a new owner

If you transfer the tricycle to a new owner, it is important that you hand over all necessary technical documentation and spare keys, so that the new owner can use the bicycle safely.

Do you use the Van Raam E-Bike App and have you linked your bike and battery to the app? Make sure you disconnect the bike and battery from the app when transferring/selling. **Please note!** Your cycled routes will not be lost and you can always continue to view them in your Van Raam E-Bike App account. The next owner cannot view your cycled routes.

## Warranty

The warranty applies to all product defects for which it has been proven that the cause is a material or manufacturing defect.

We give a five-year warranty on the frame and front fork. For all accessories and other parts (with the exception of wearing parts), we apply the statutory warranty period of two years. The warranty only applies to normal use and maintenance of the bicycle, as described in this user manual.

### **Please note!**

Both the warranty and the product liability in general expire if the instructions in this user manual are not followed, if maintenance work has been carried out incorrectly or if technical changes or additions have been made to the bicycle with non-original Van Raam parts, without permission from Van Raam. The original CE-declaration on the bicycle will also lapse in the event of adjustments by third parties. The lack of a CE-declaration can lead to problems when insuring the bicycle and in the event of damage or liability.

## Frame number

You will find the frame number on the sticker. This sticker is applied to the frame, see pictures.

Example sticker:



Position sticker Easy Rider, Easy Rider Junior and Easy Sport:

Easy Rider



On the frame tube

Easy Rider Junior



On the frame tube

Easy Sport



Under the seat tube

## Service, maintenance and modifications form

To retain the warranty claim, the Van Raam bicycle must be serviced in accordance with the schedule below.

<b>Service:</b>	<b>Performed on:</b>	<b>Initials dealer:</b>
Service after the first 200 KM or after two months		
Service 1 year after delivery		
Service 2 years after delivery		
Service 3 years after delivery		
Service 4 years after delivery		
Service 5 years after delivery		

Even after five years, we recommend that the bicycle be serviced annually. Failure to do so will no longer affect the warranty claim on the parts concerned, as this will expire after five years.

### Modification of the bicycle

The following items have been modified on the bicycle:

Modified:

Carried out on:

Carried out by:

**Please note!** If modifications are made by a dealer not authorized by Van Raam or if no original Van Raam parts or options are used, the warranty will lapse.









## Delivery and service form

Congratulations on your Van Raam bicycle. This bicycle has been produced with the utmost care. To guarantee a high quality as much as possible, Van Raam produces the bicycles according to the ISO 9001: 2015 quality requirements. Van Raam has been certified for this by DNV GL Business Assurance B.V.

You can optimally enjoy this Van Raam bicycle, specially produced for you, if the bicycle is adjusted to your requirements and the instructions in the user manual are followed. Make sure to observe the service intervals prescribed in the operating instructions.

To be able to claim service and warranty, you must always fill in the forms at delivery and service intervals. With this form, the dealer and the end user also sign that the end user has been instructed about the operation of the bicycle, that the bicycle has been adjusted to the wishes of the end user and that the end user has received the original Van Raam manual.

### Fill in when delivering the bicycle

Van Raam bicycle type:	
Frame number:	
Key number:	
Delivered to:	
By dealer:	
Location:	
Date:	
Signature bicycle user:	Signature dealer:
Dealer stamp (if available):	